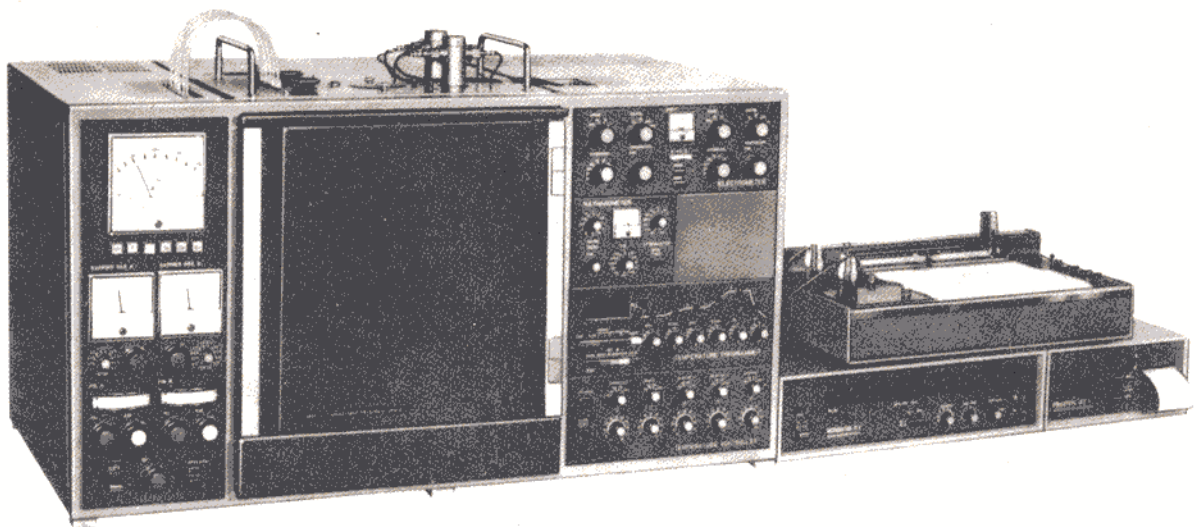
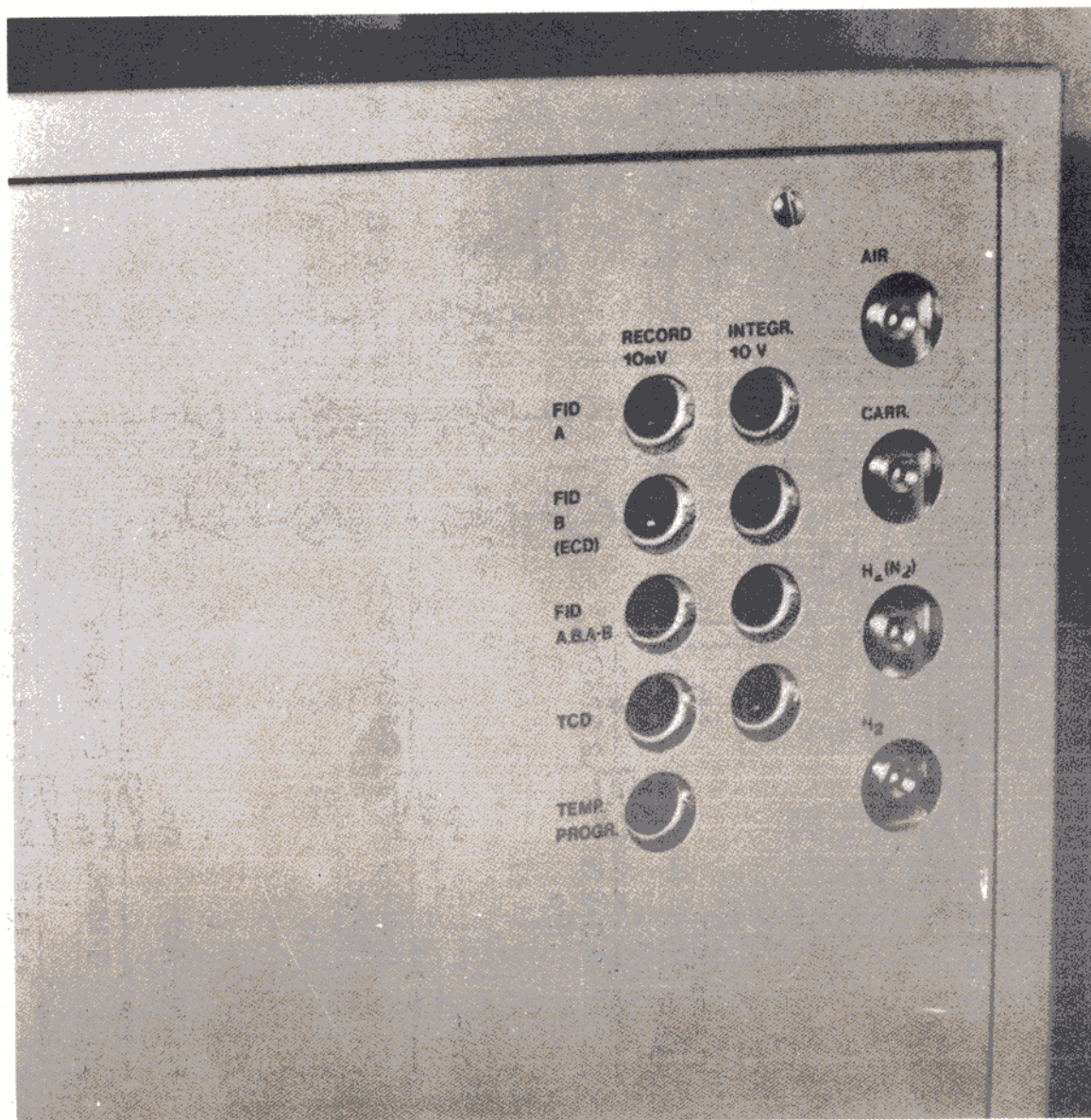


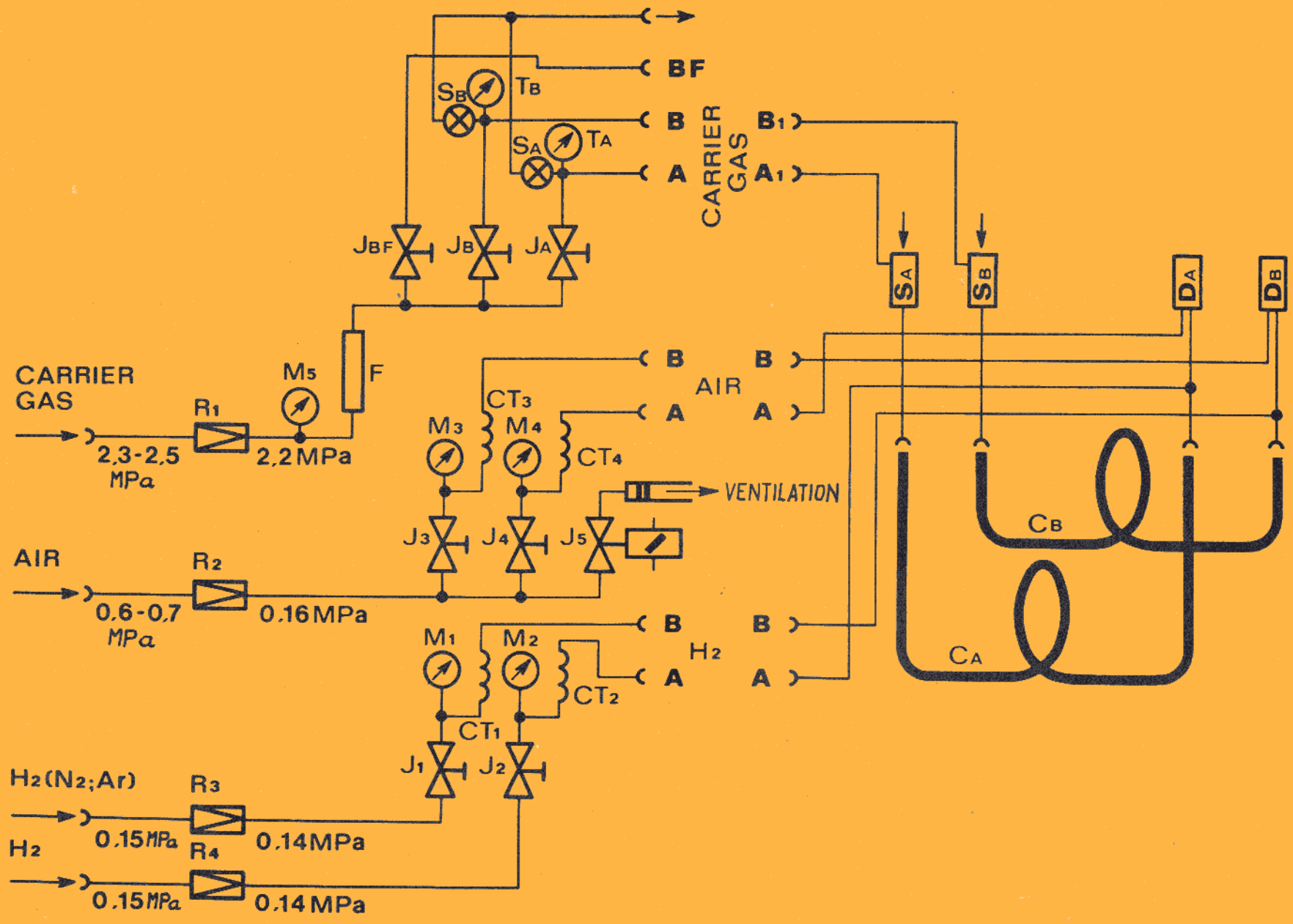
CHROM 5

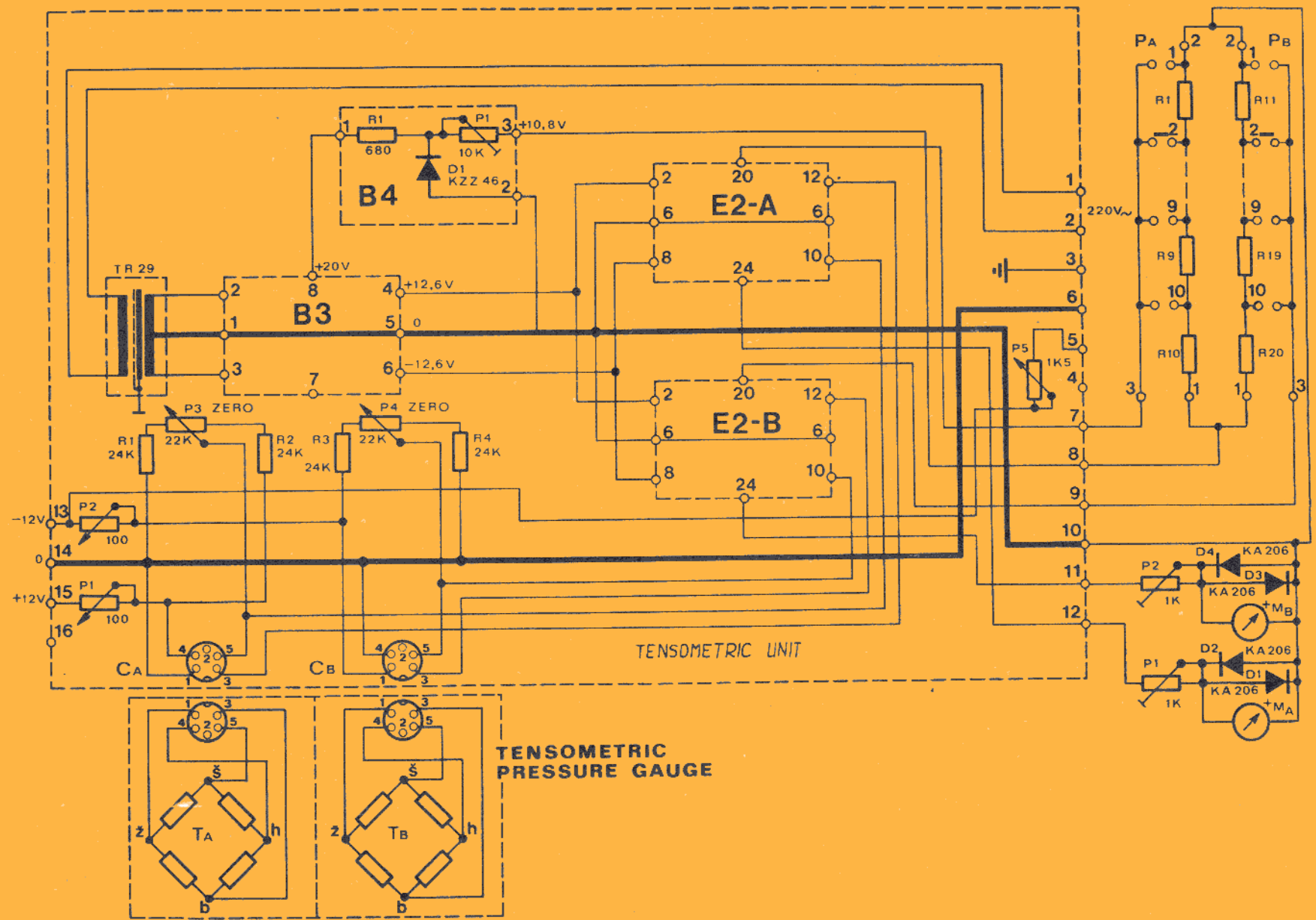


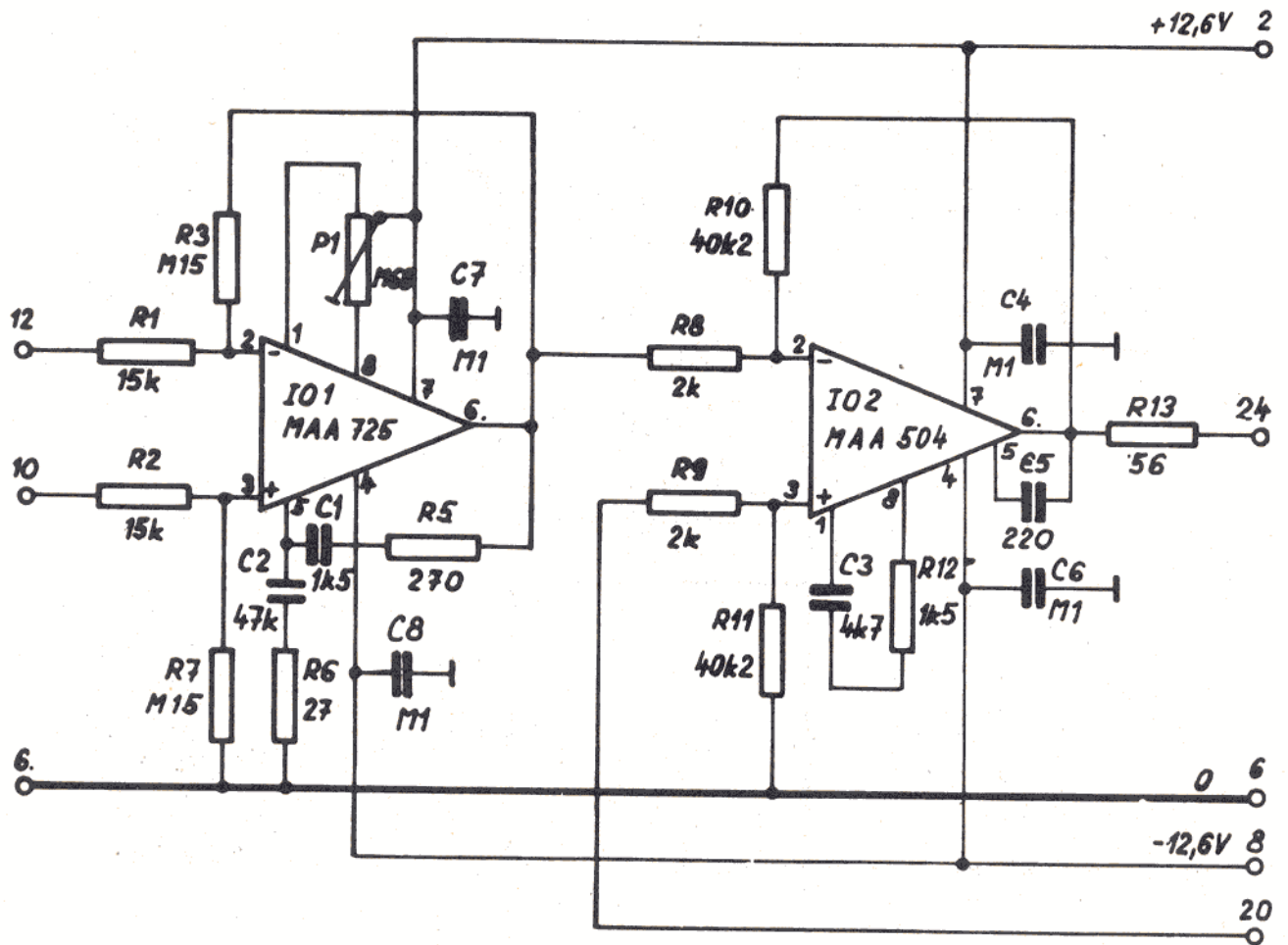


W

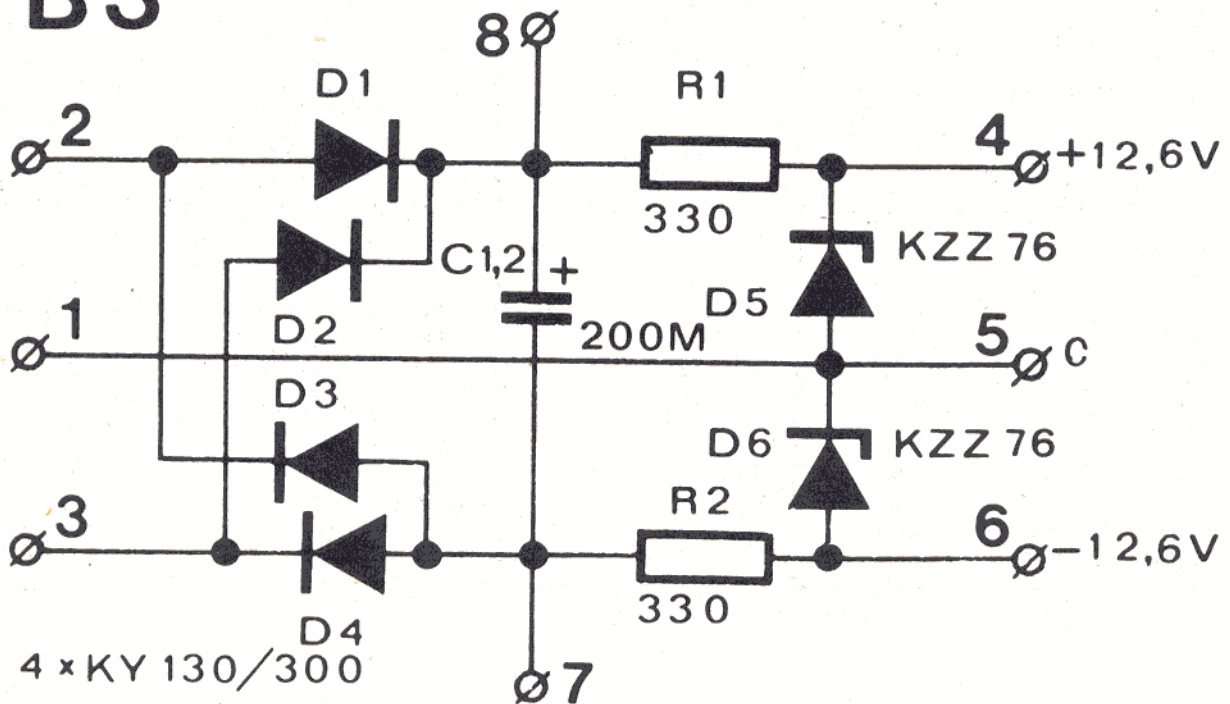
4



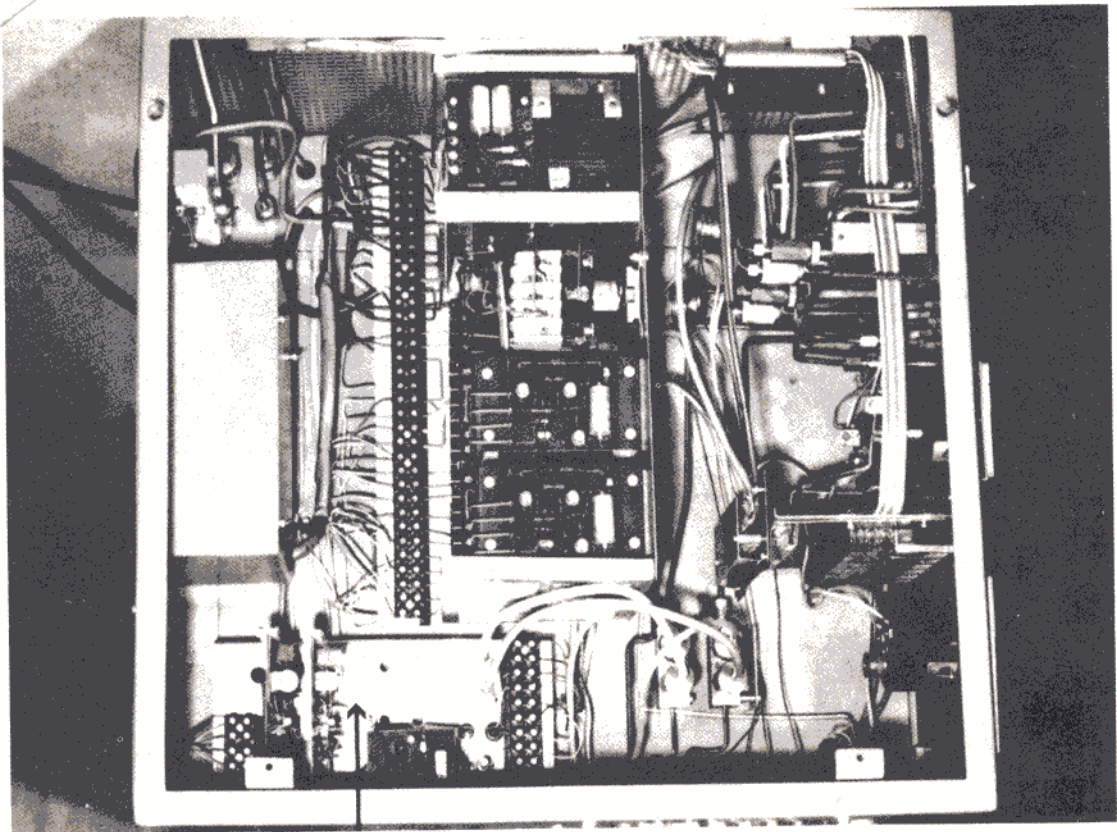




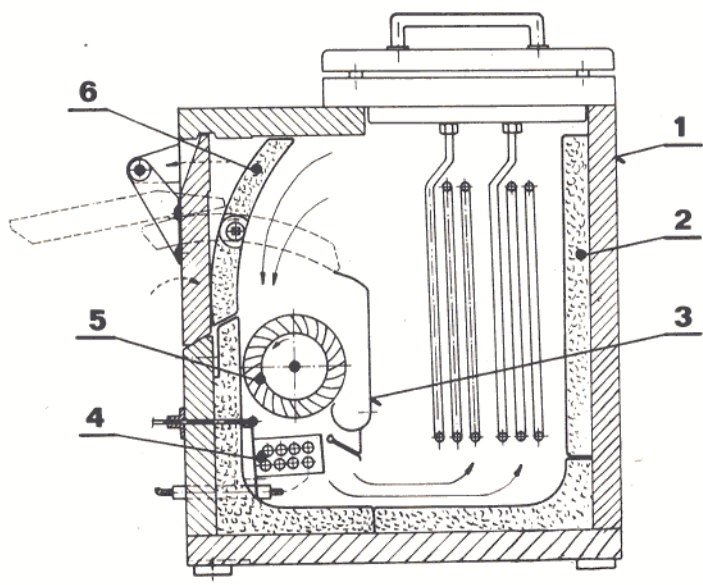
B3



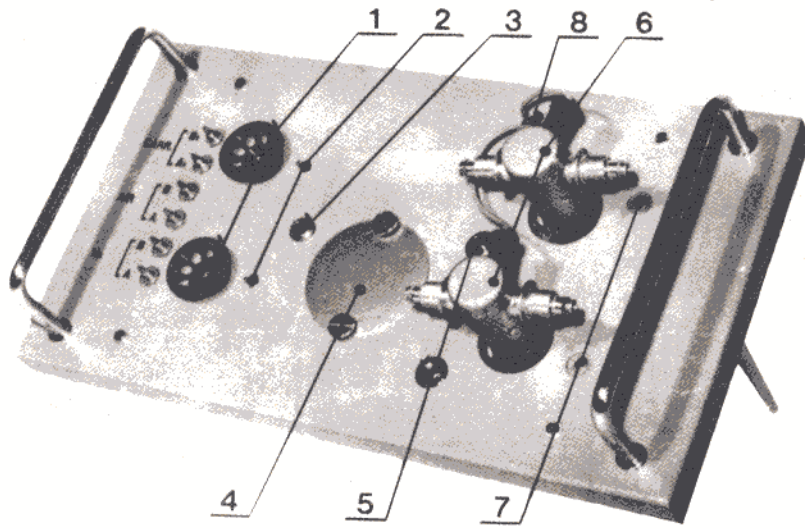
727-10-1000



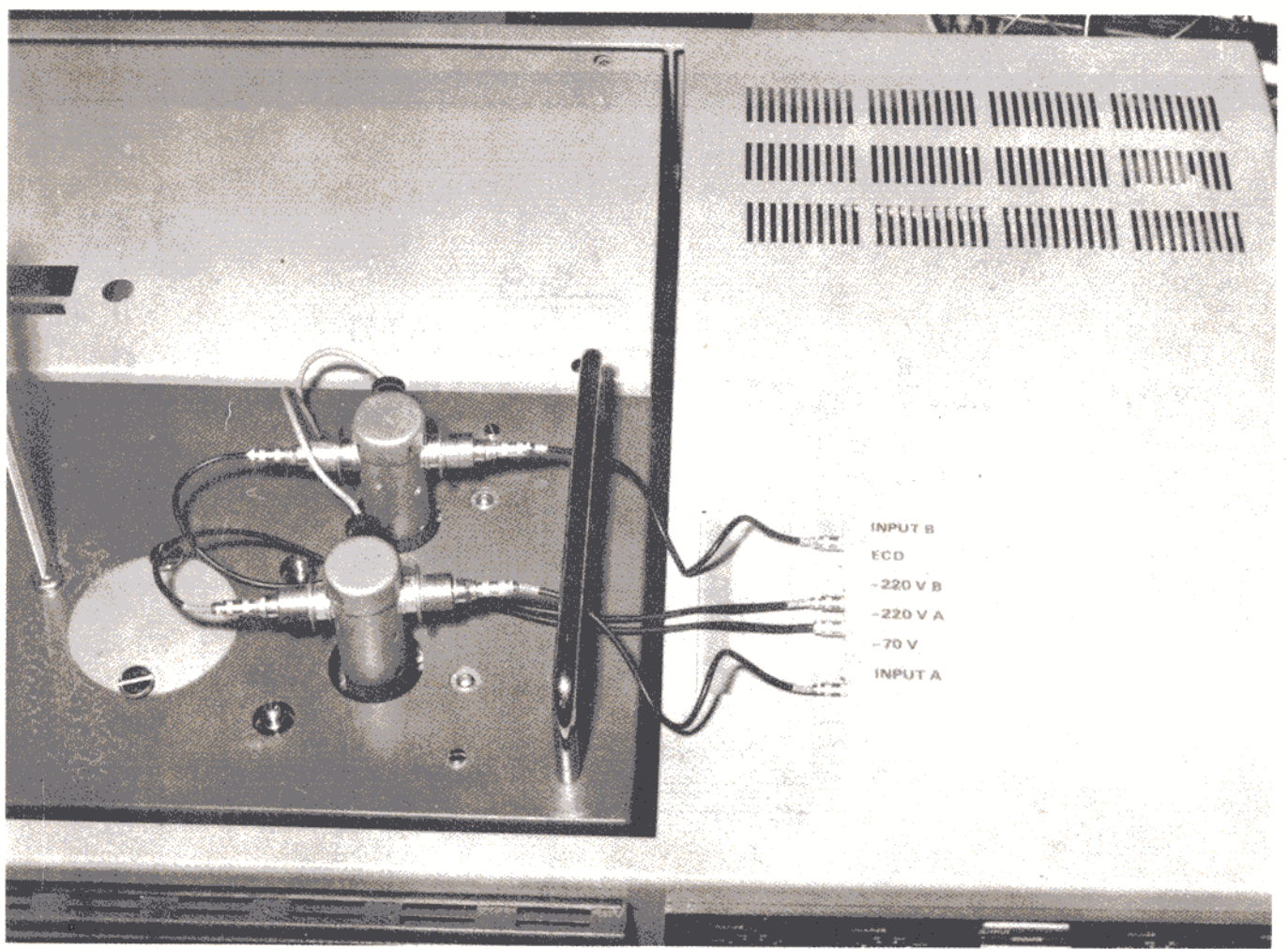
8



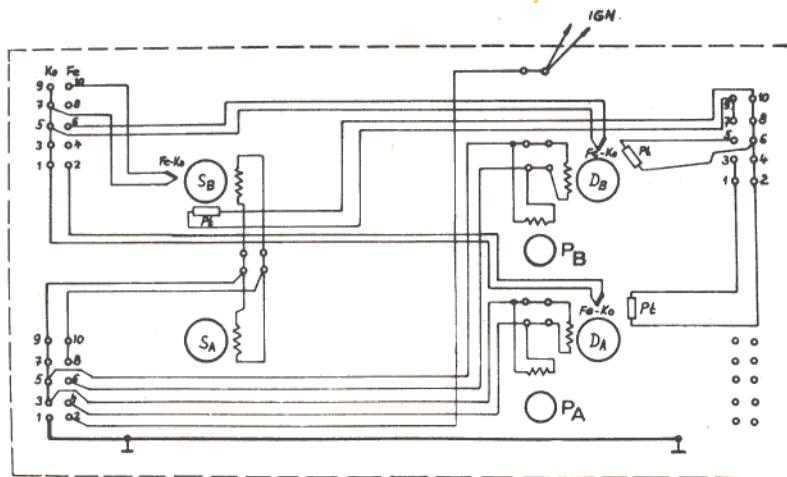
9



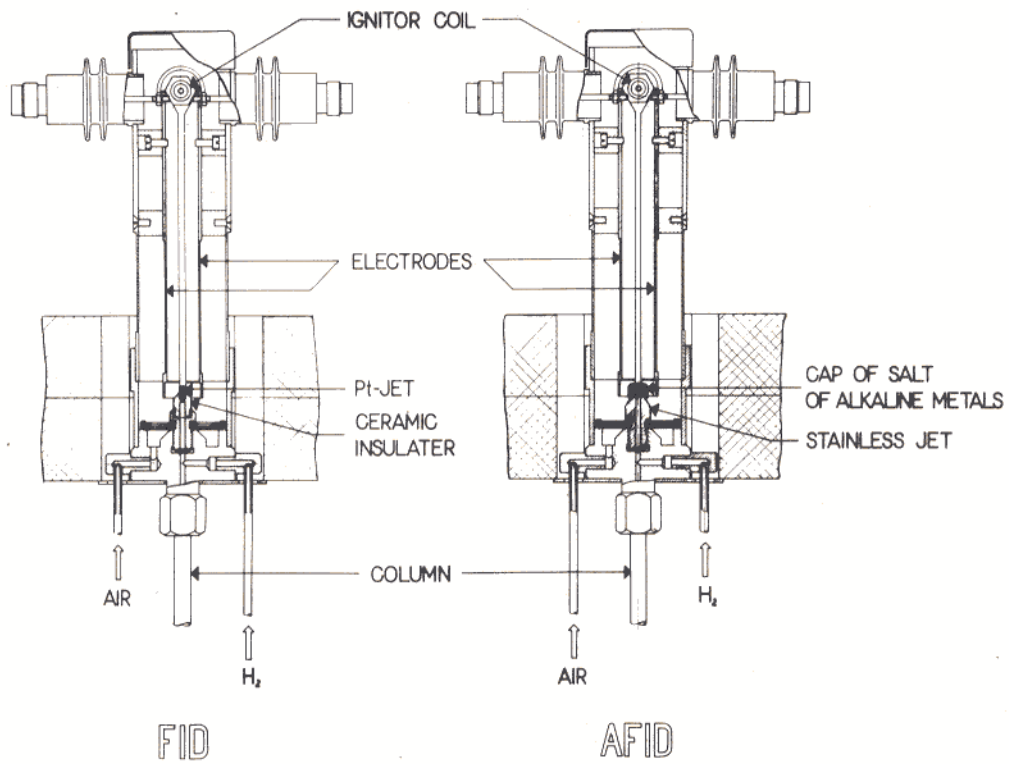
10



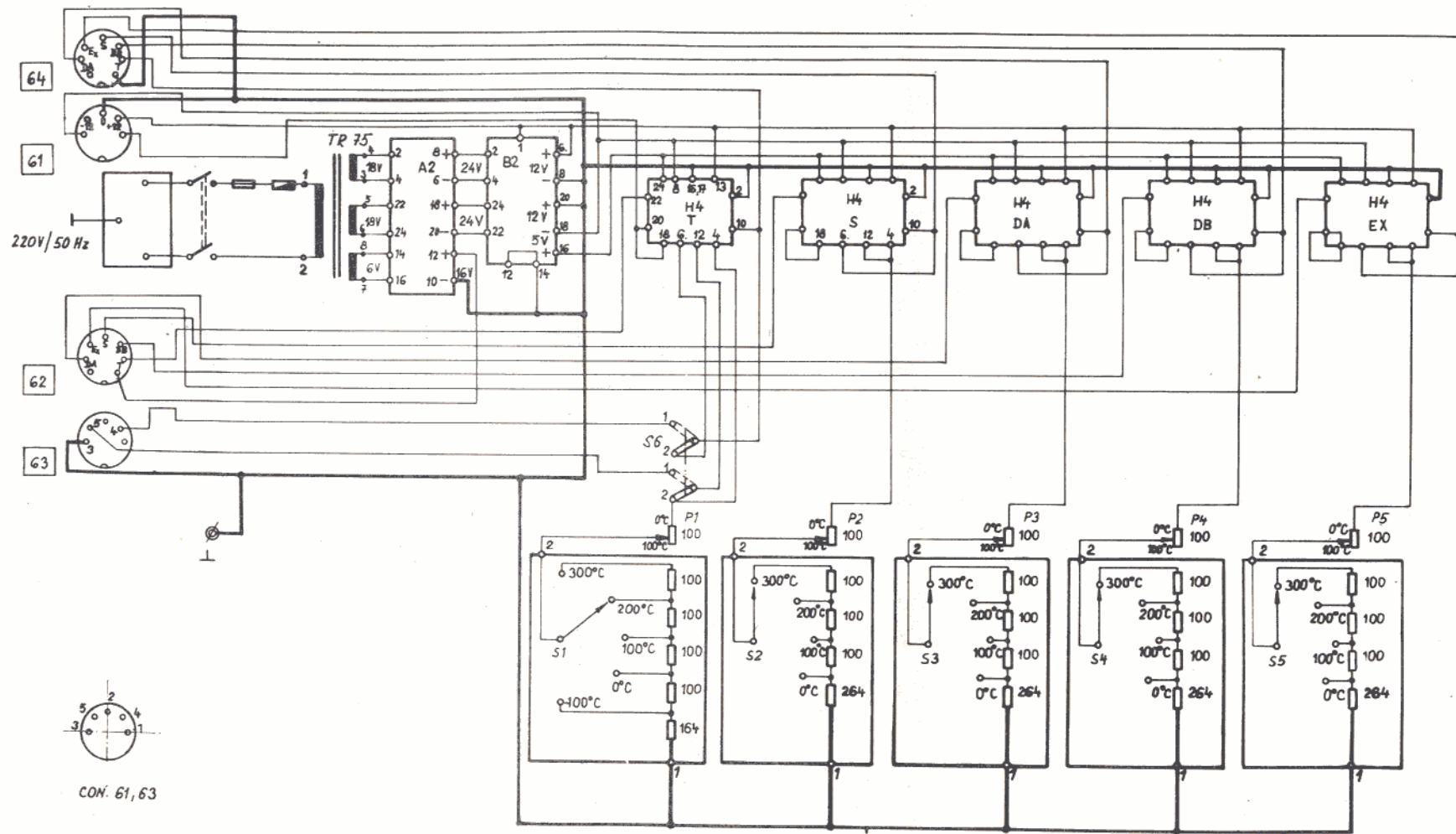
11



12



13

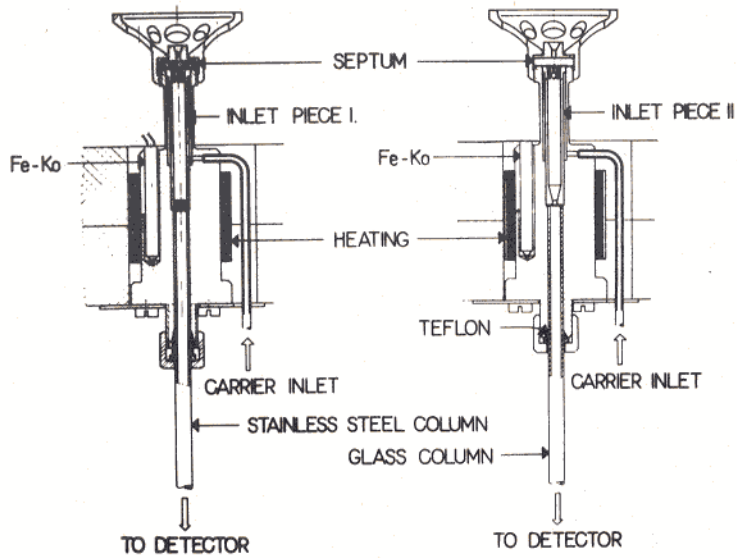


CON. 61, 63

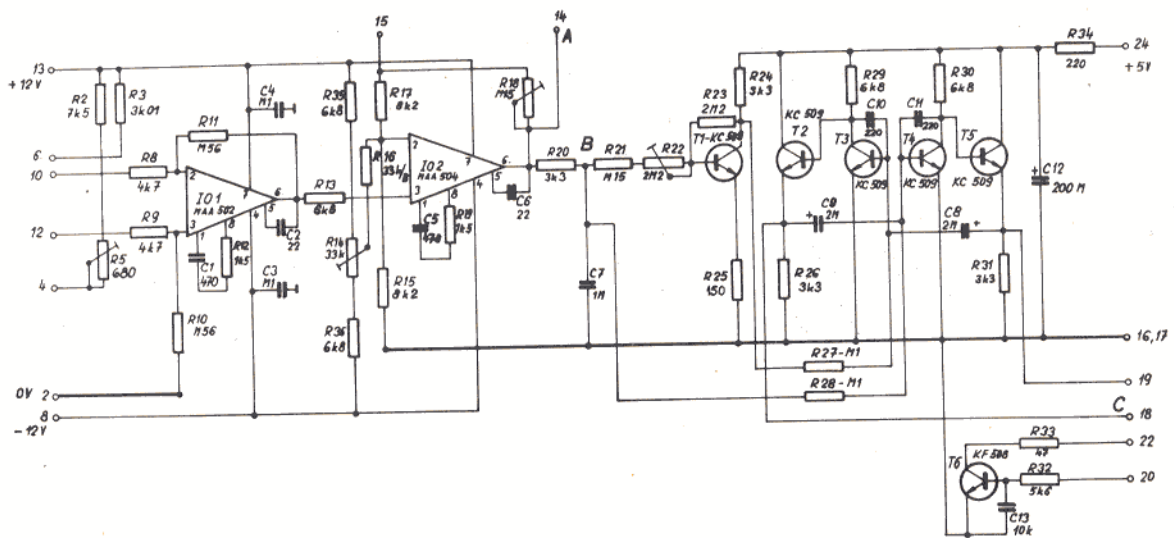


CON. 62, 64

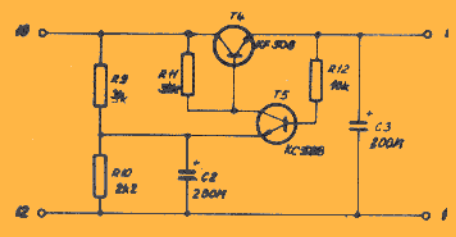
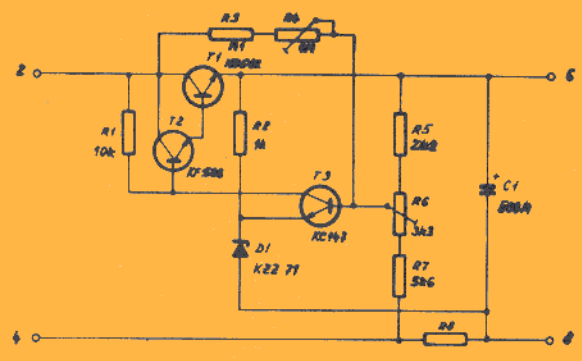
5



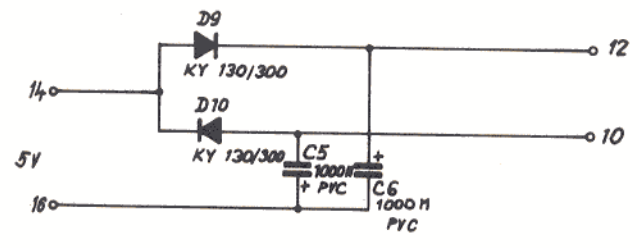
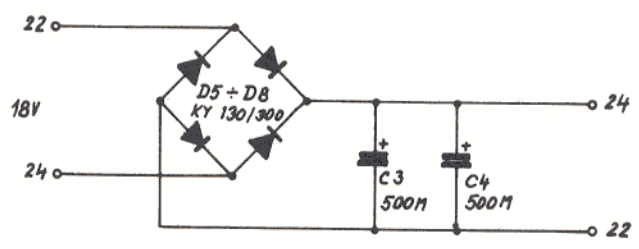
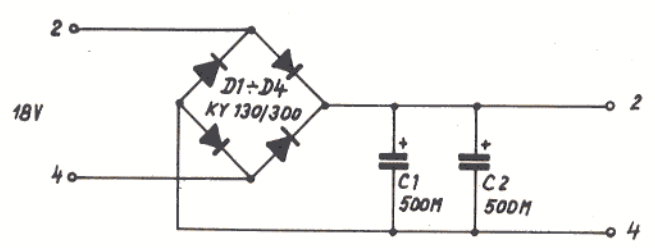
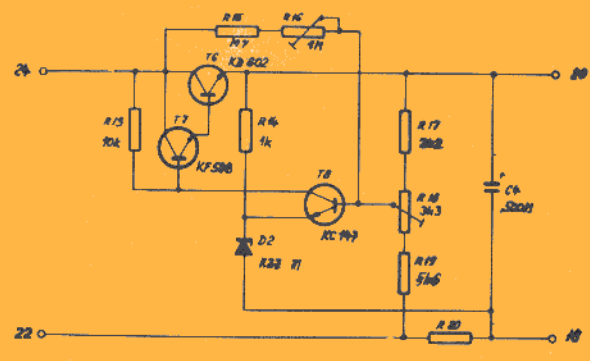
14



V



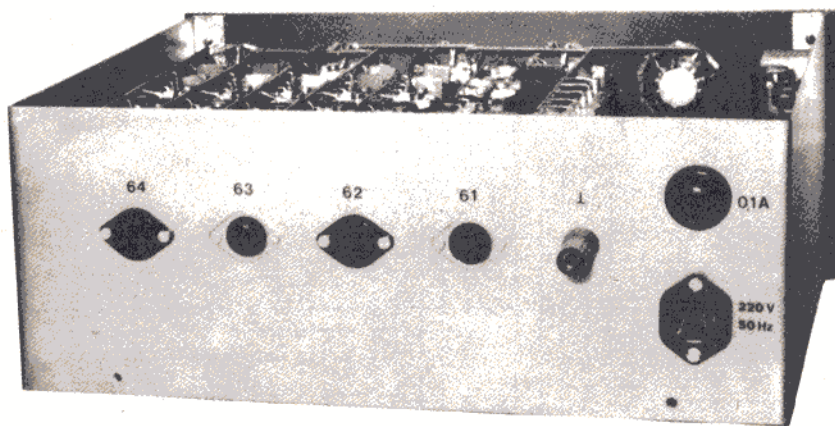
B



B

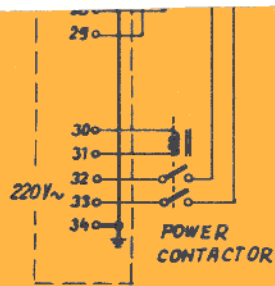
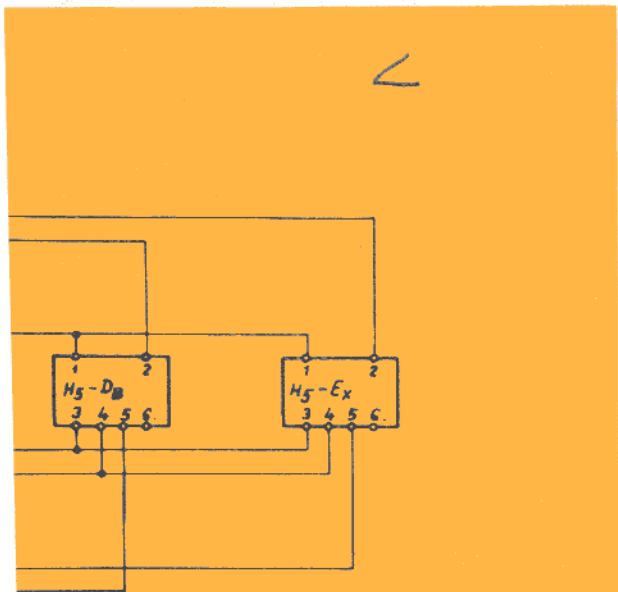


19

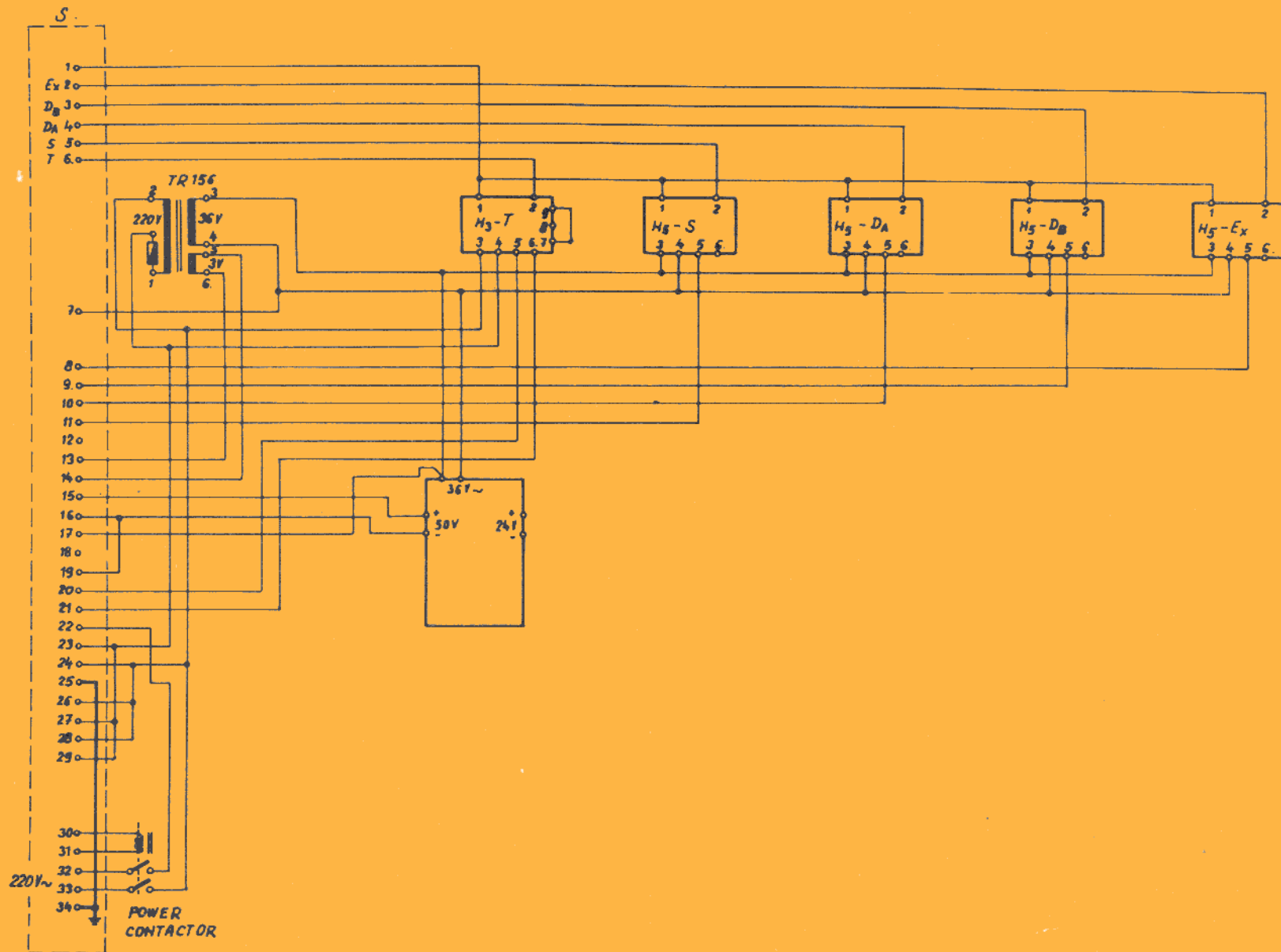


20

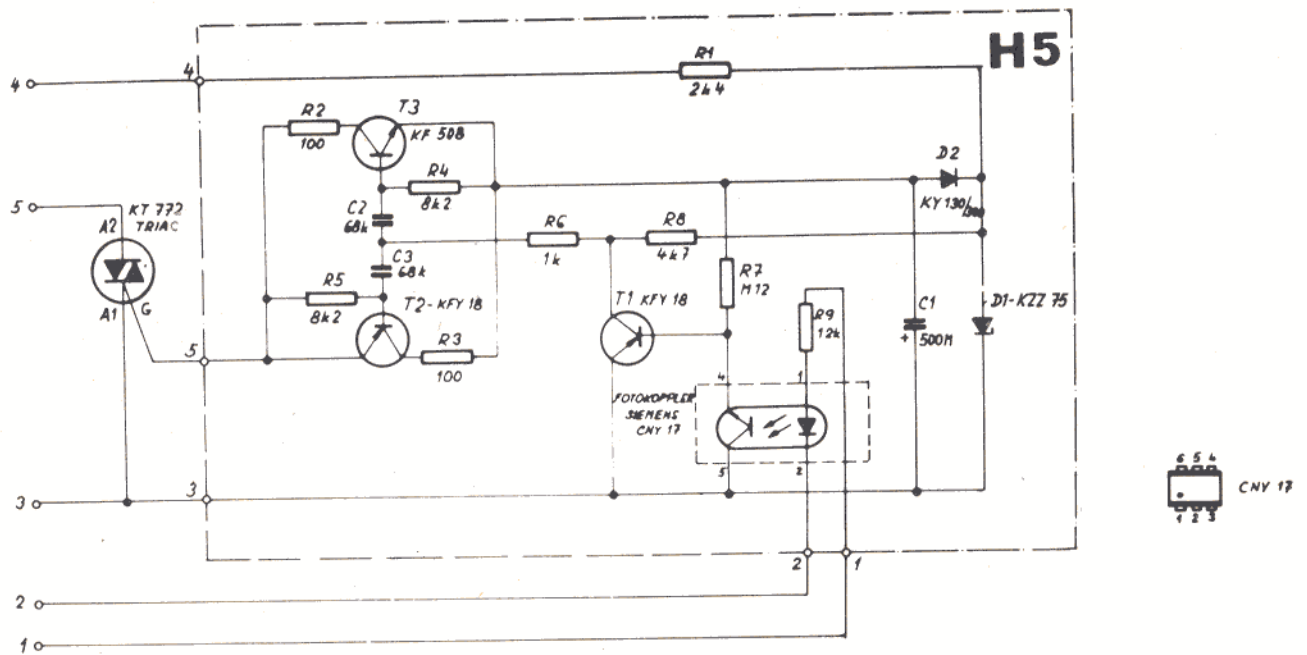
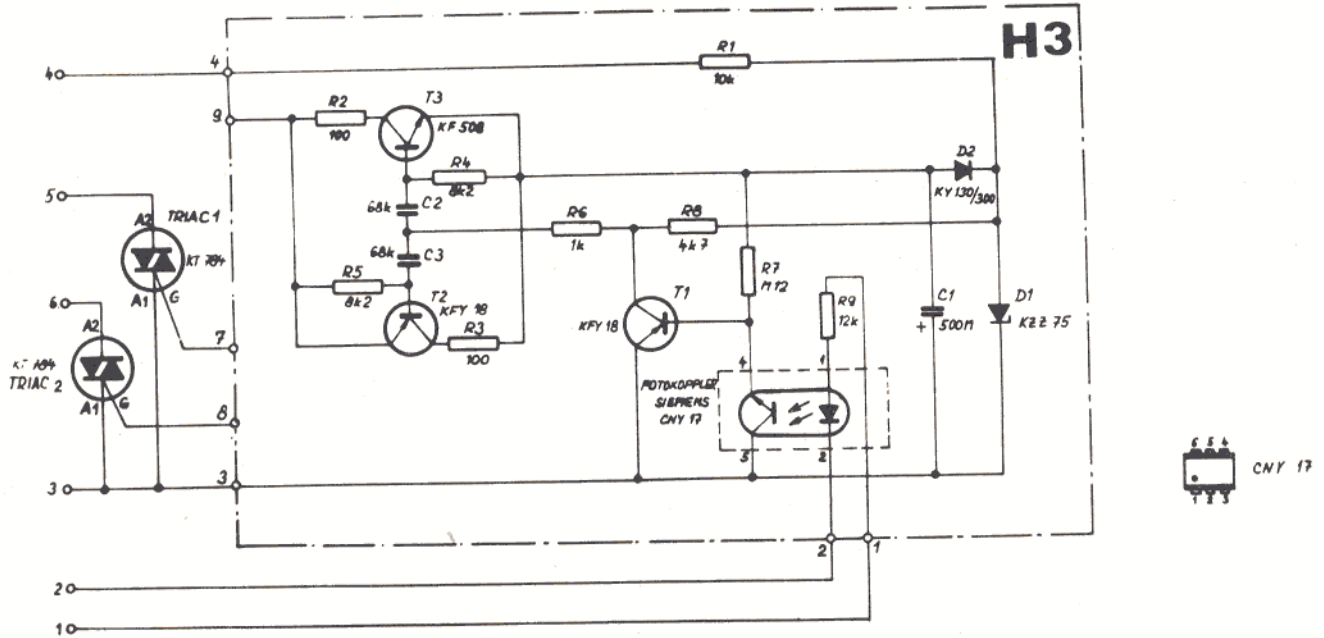
3^{II}-5 chiefly commutator
9^I-11 chiefly. Same up to 11

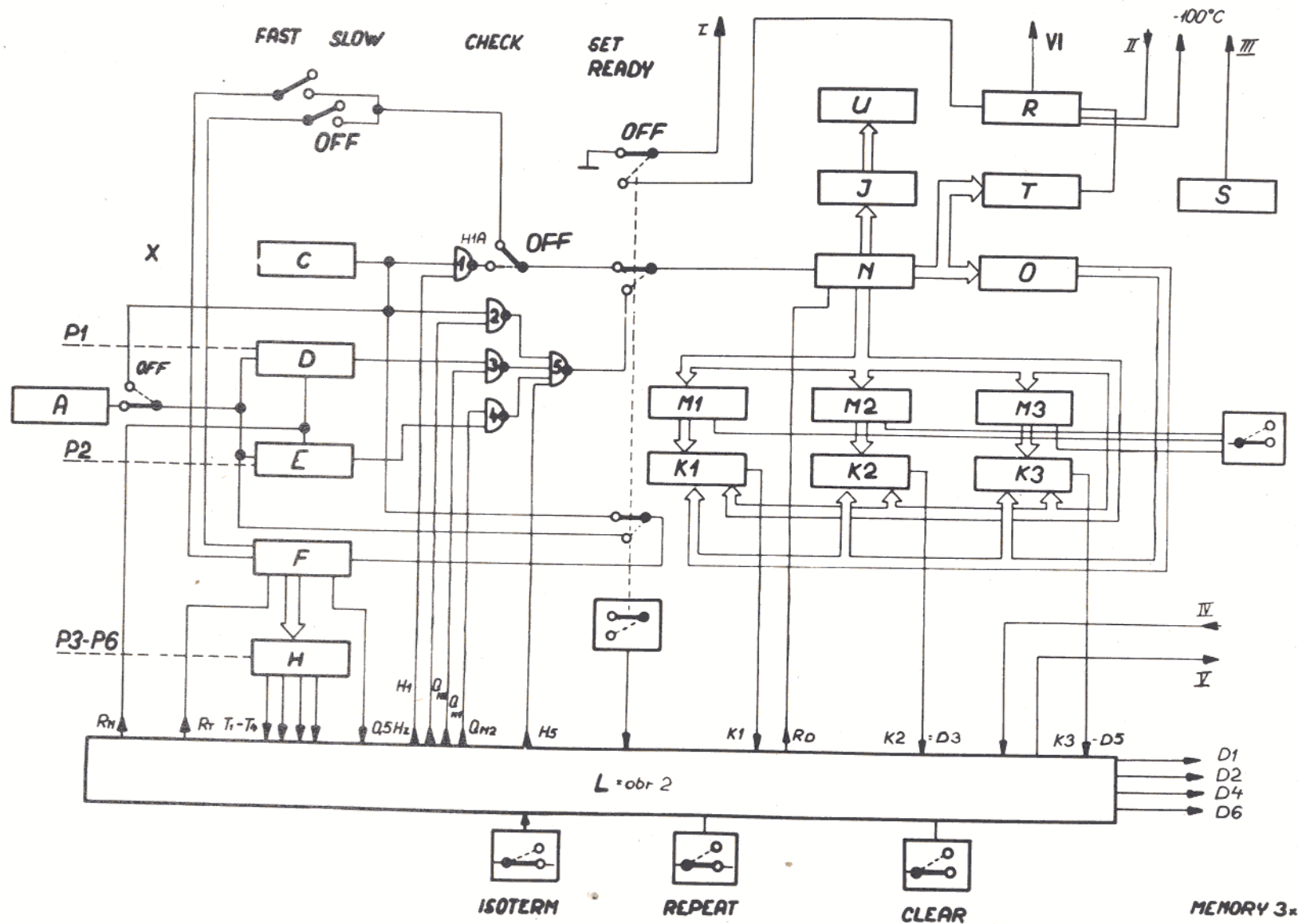


70

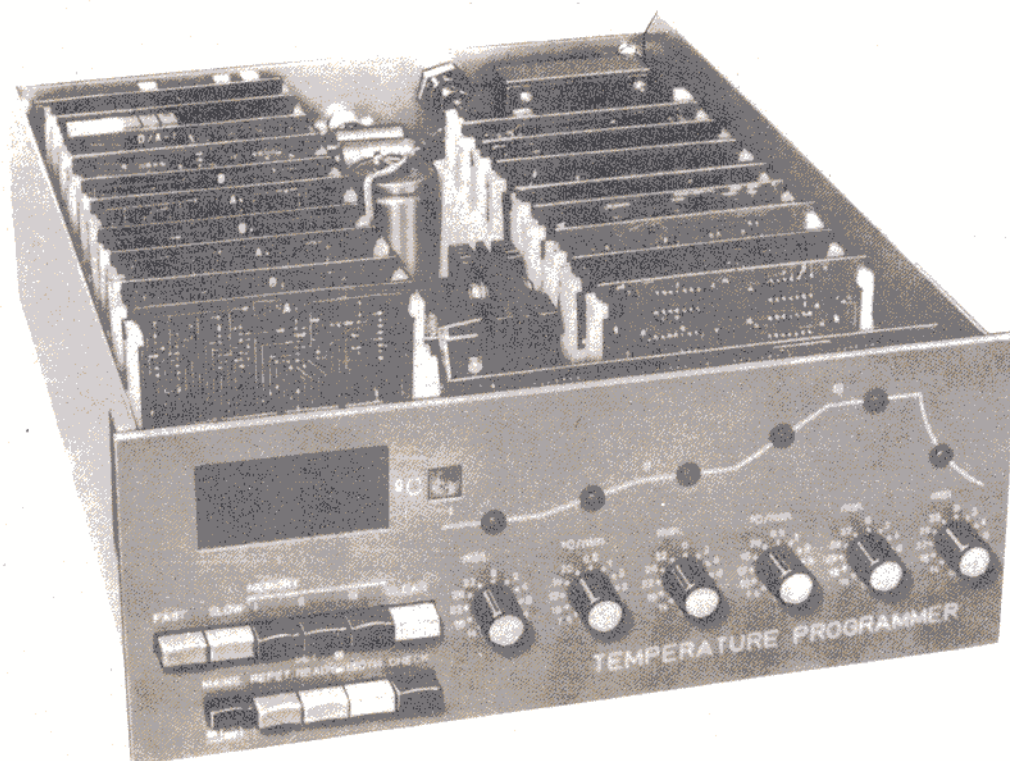


CHROM 5



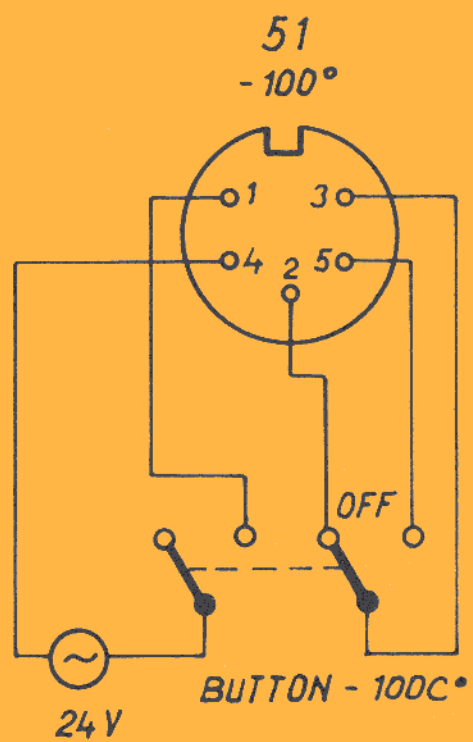


CHROM 5

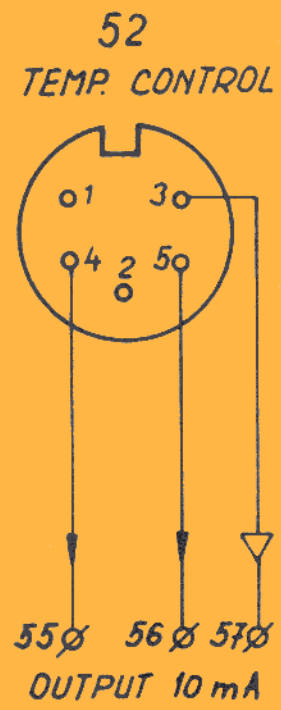


24

2
+

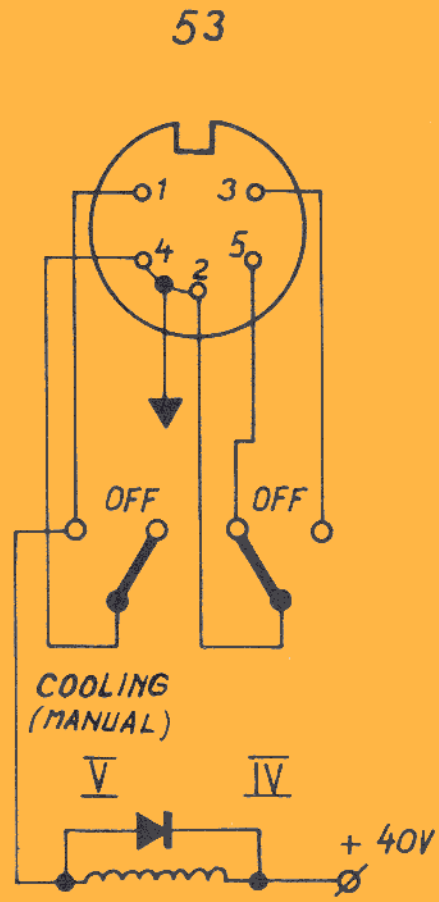


II



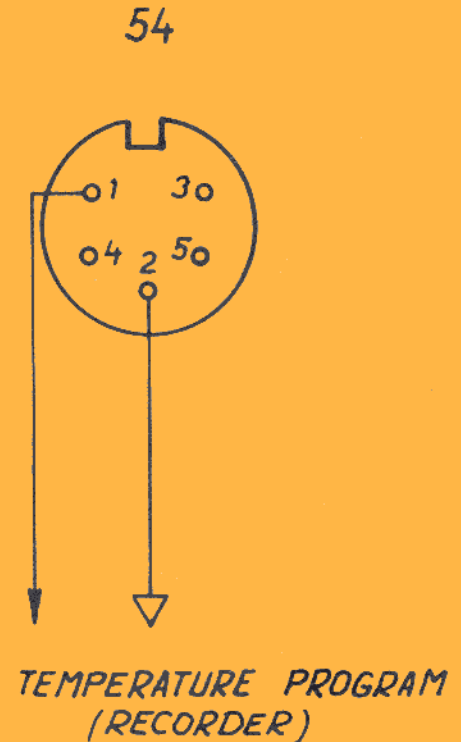
III

I



V

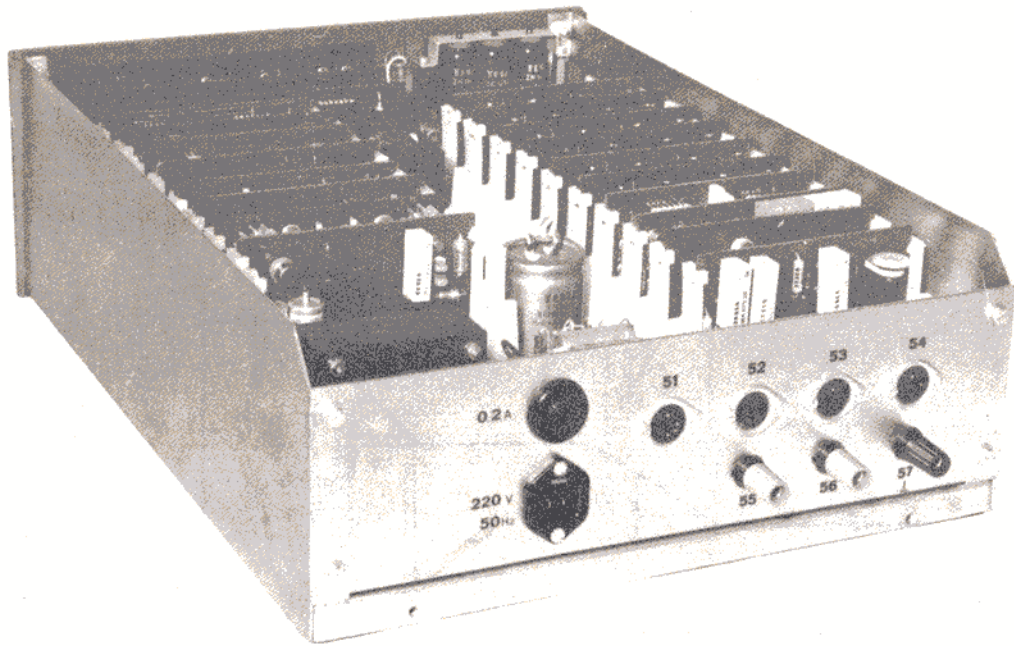
IV



VI

↓ DIGIT. GROUND

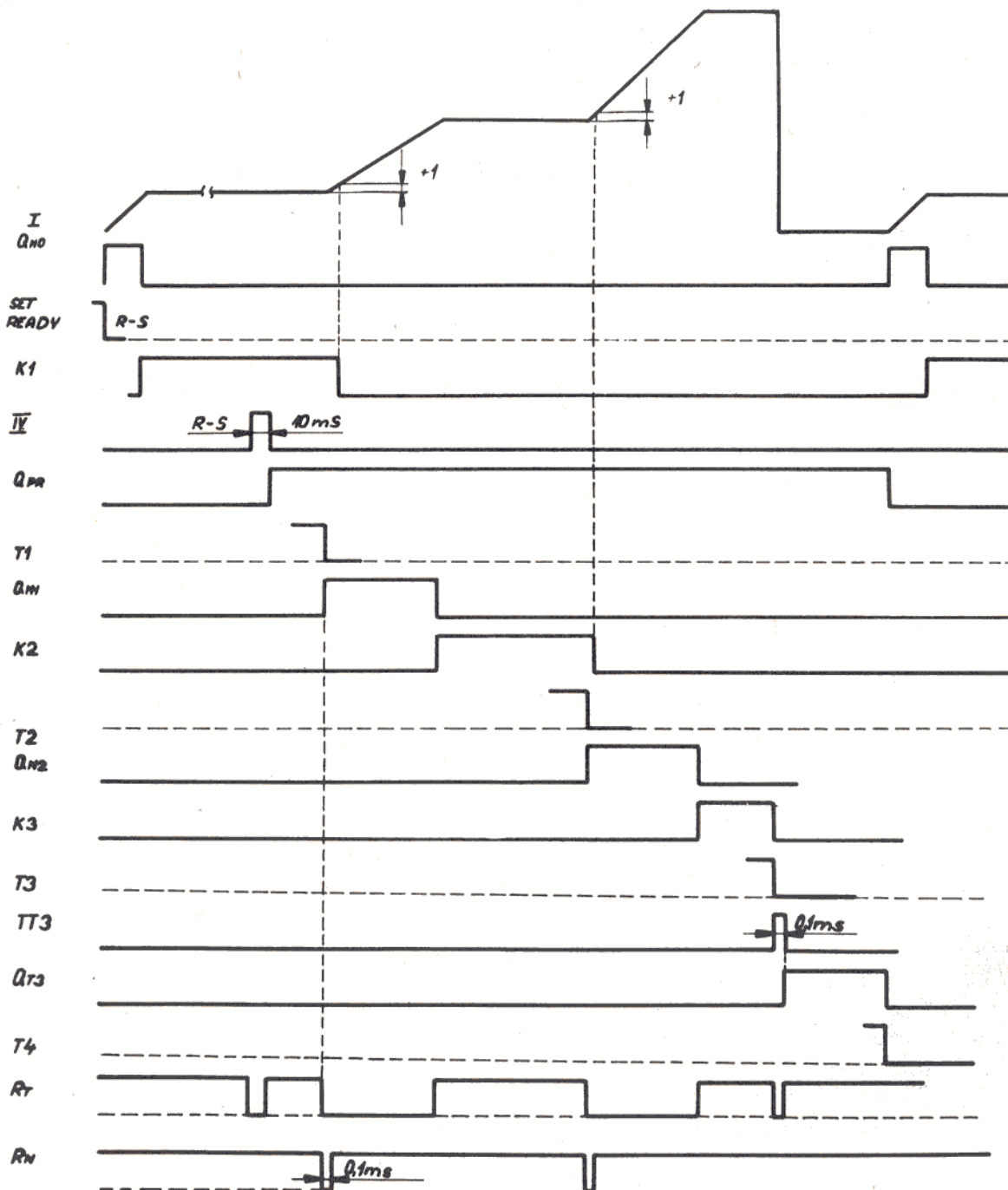
↓ ANALOG. GROUND

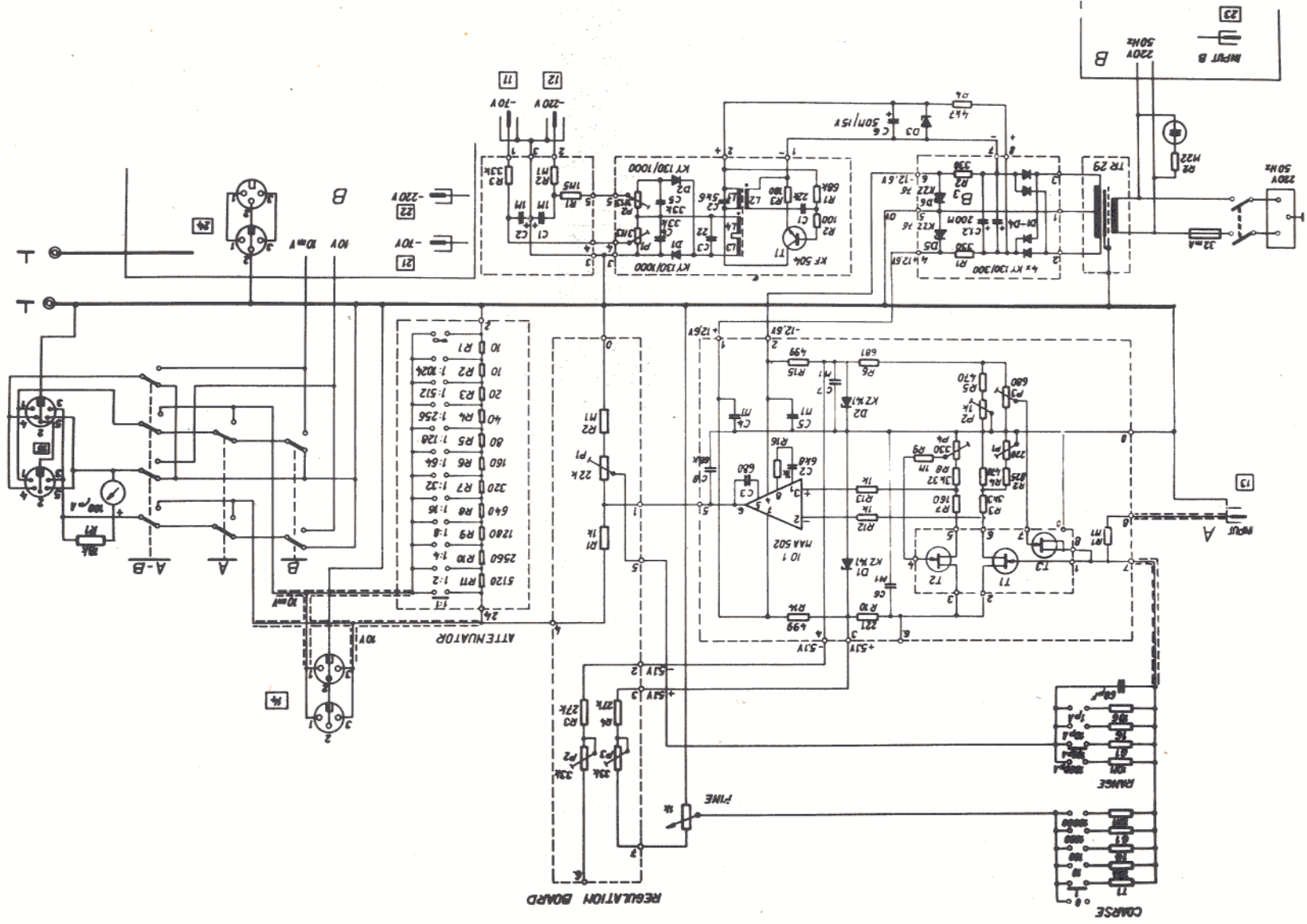


28



30

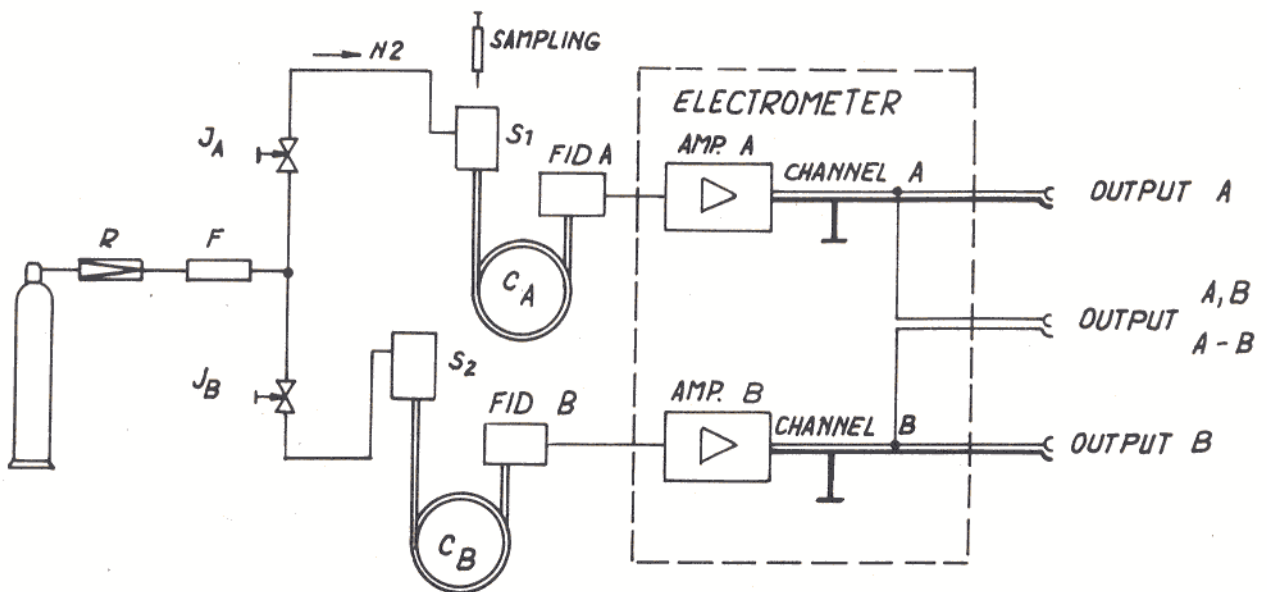






32

CHROM 5

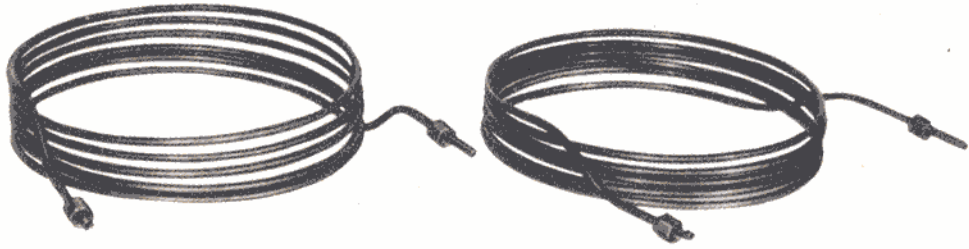


33

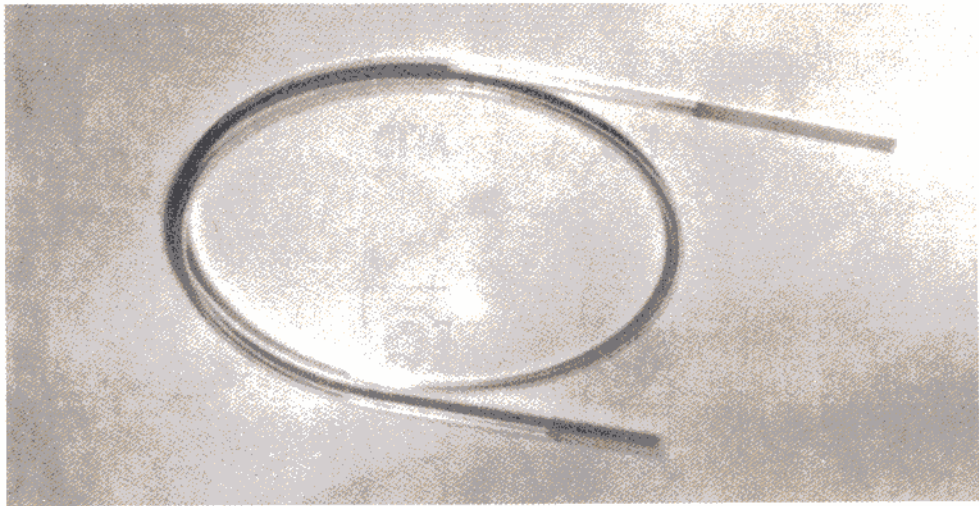
34



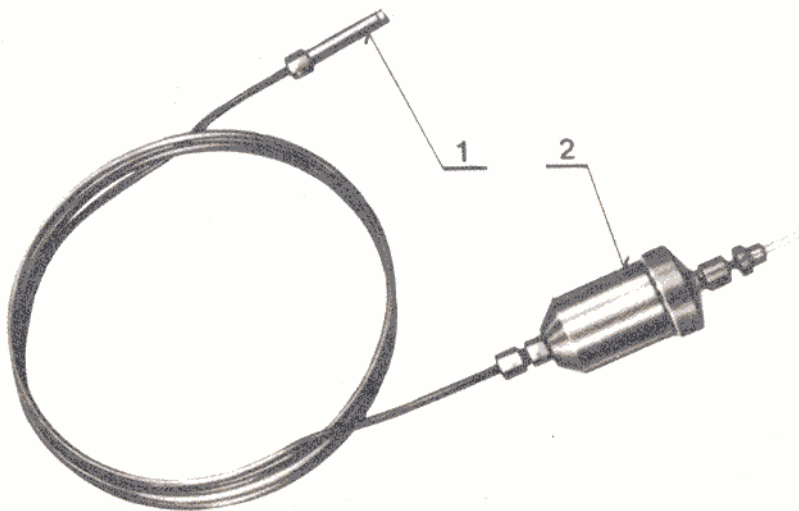
35

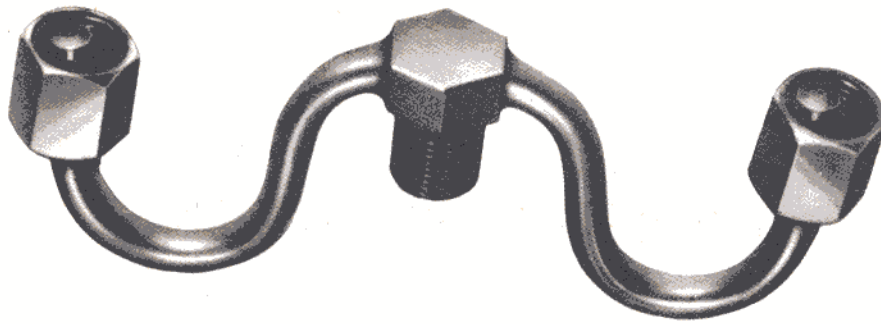


36

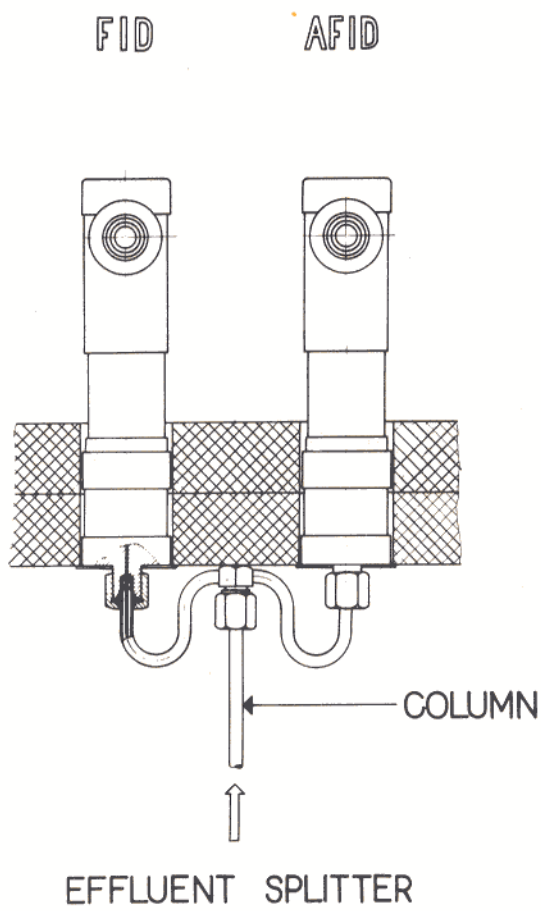


37

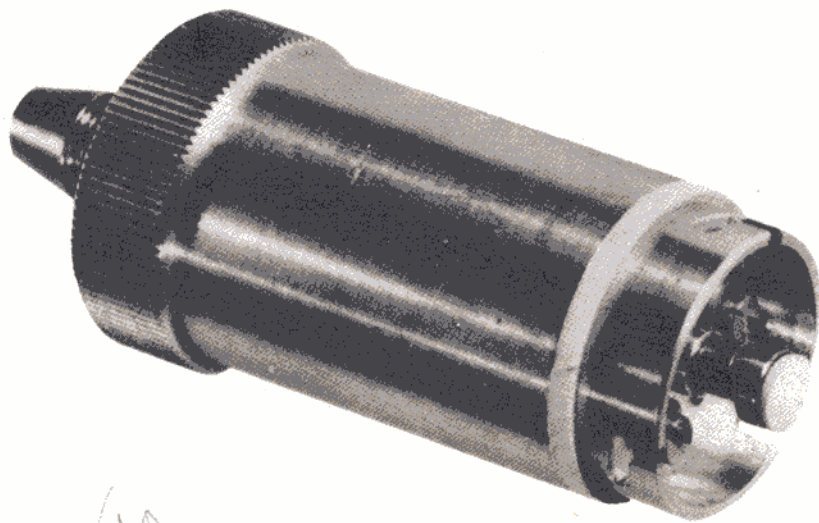




38

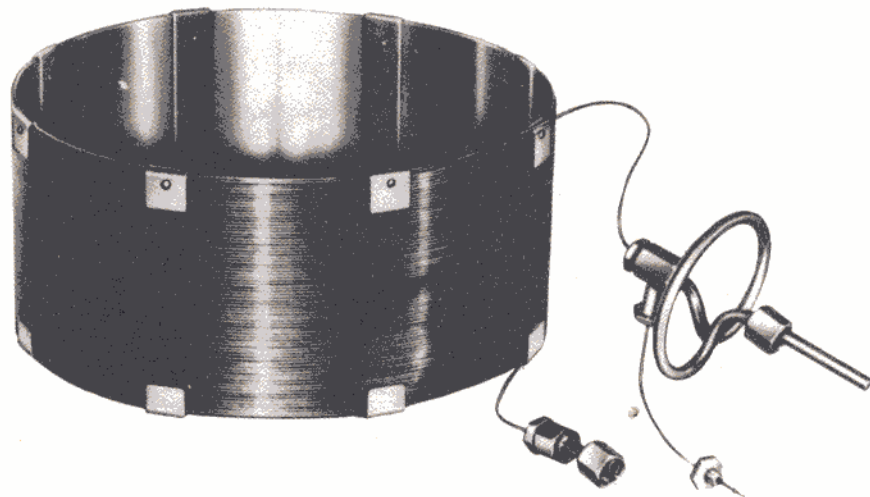


39

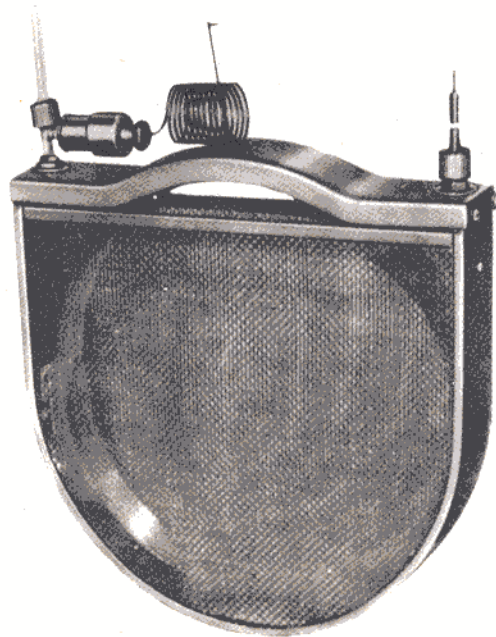


40

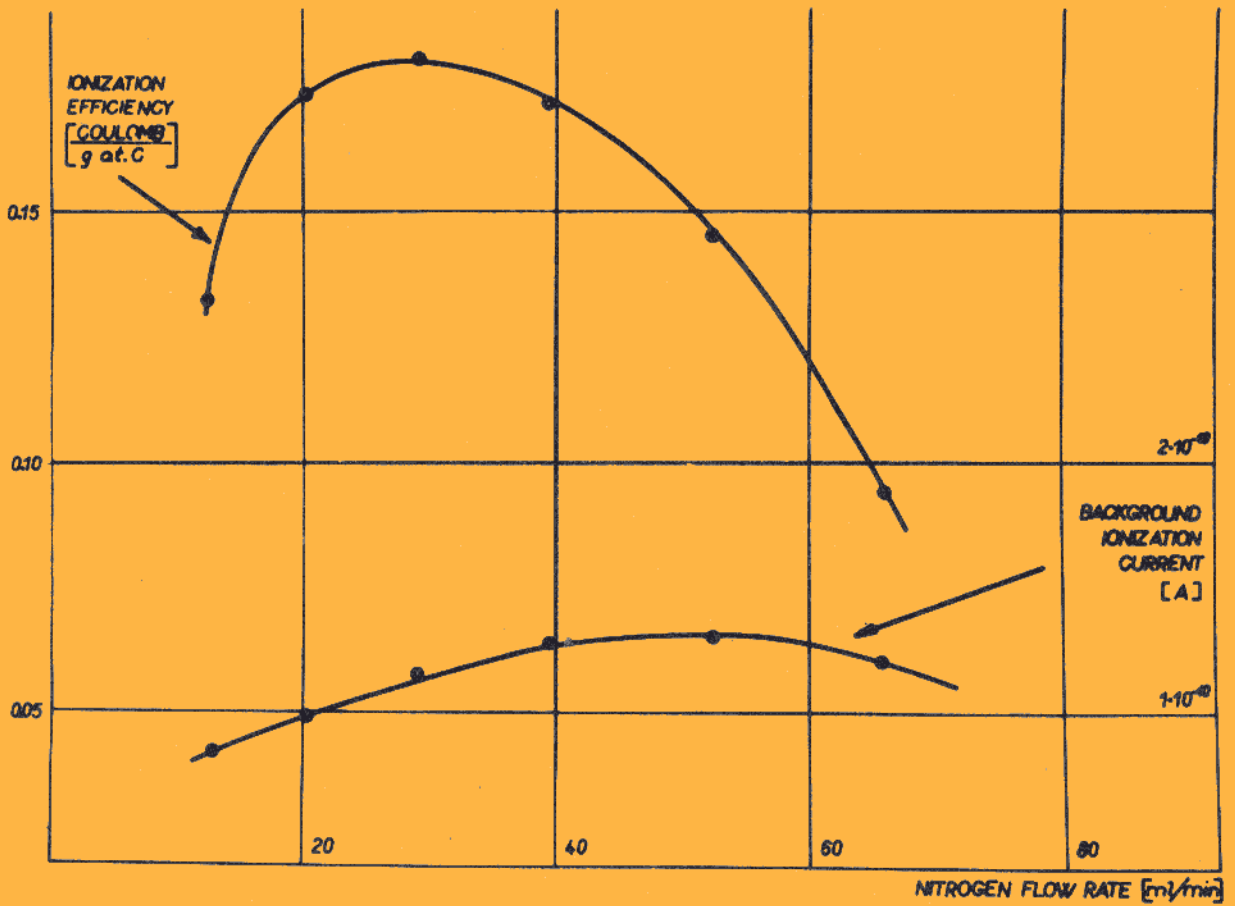
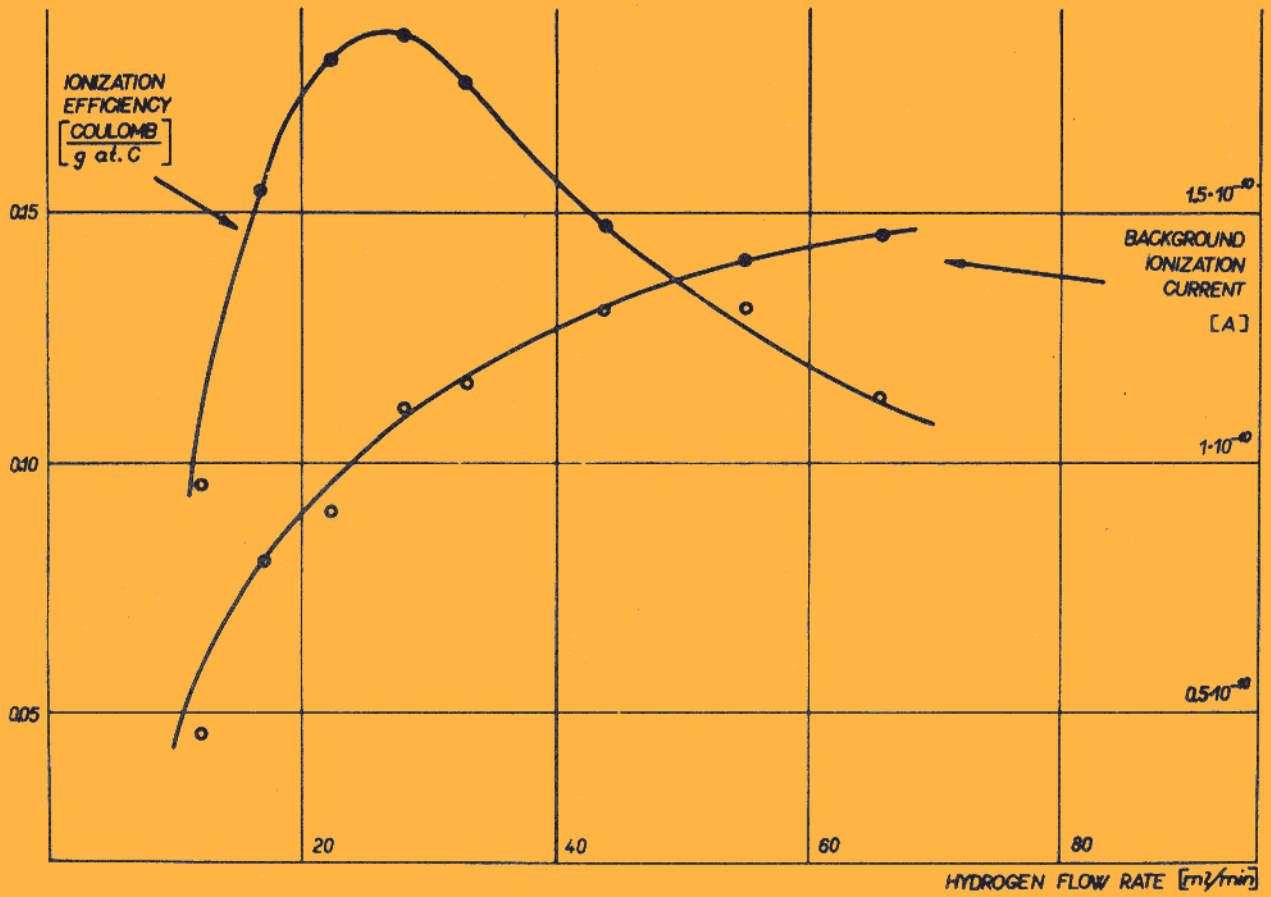
41

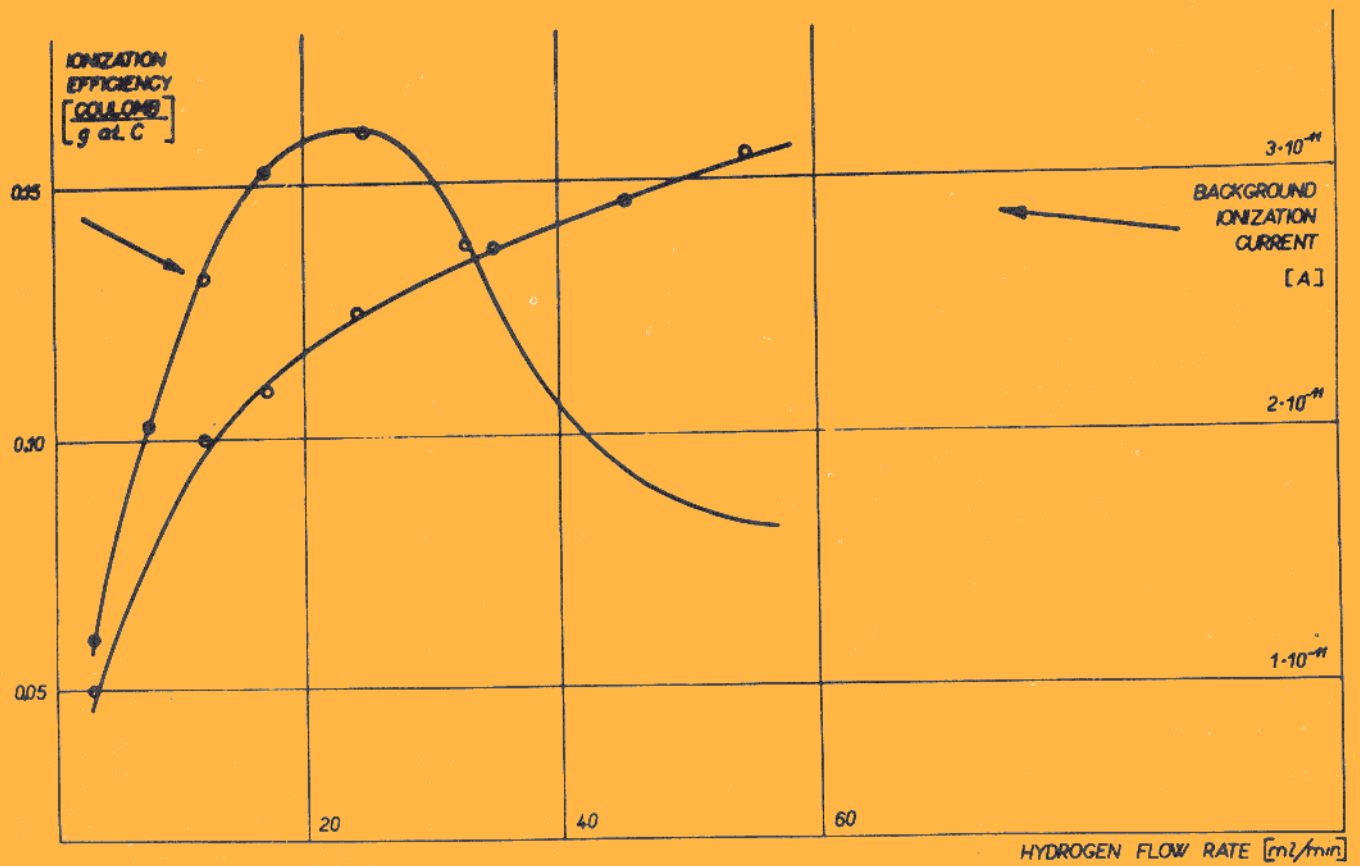
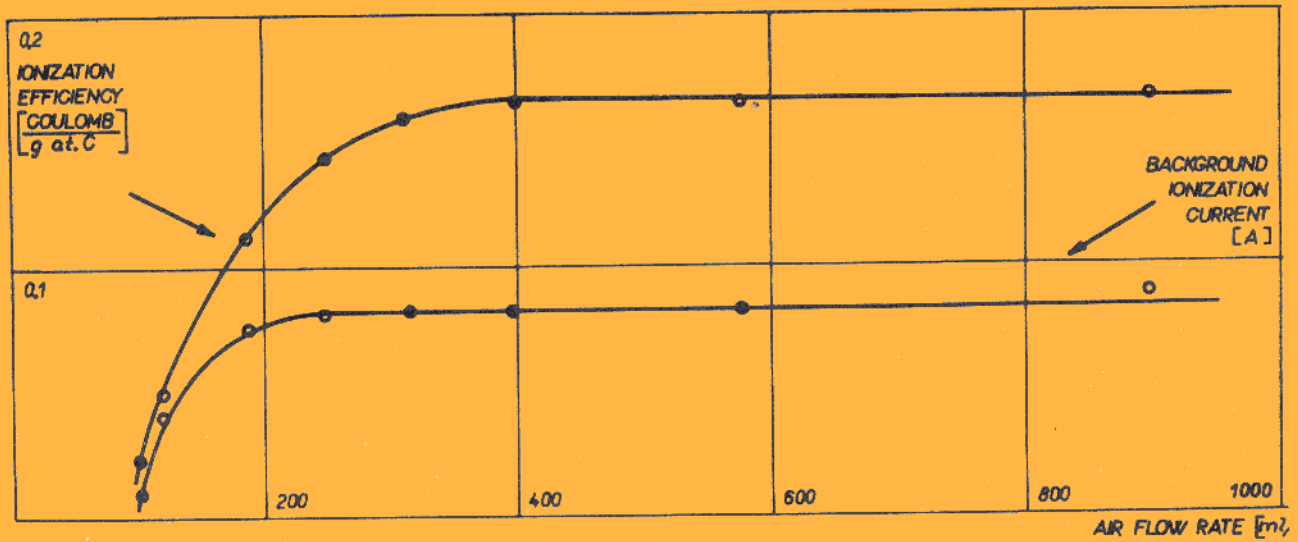


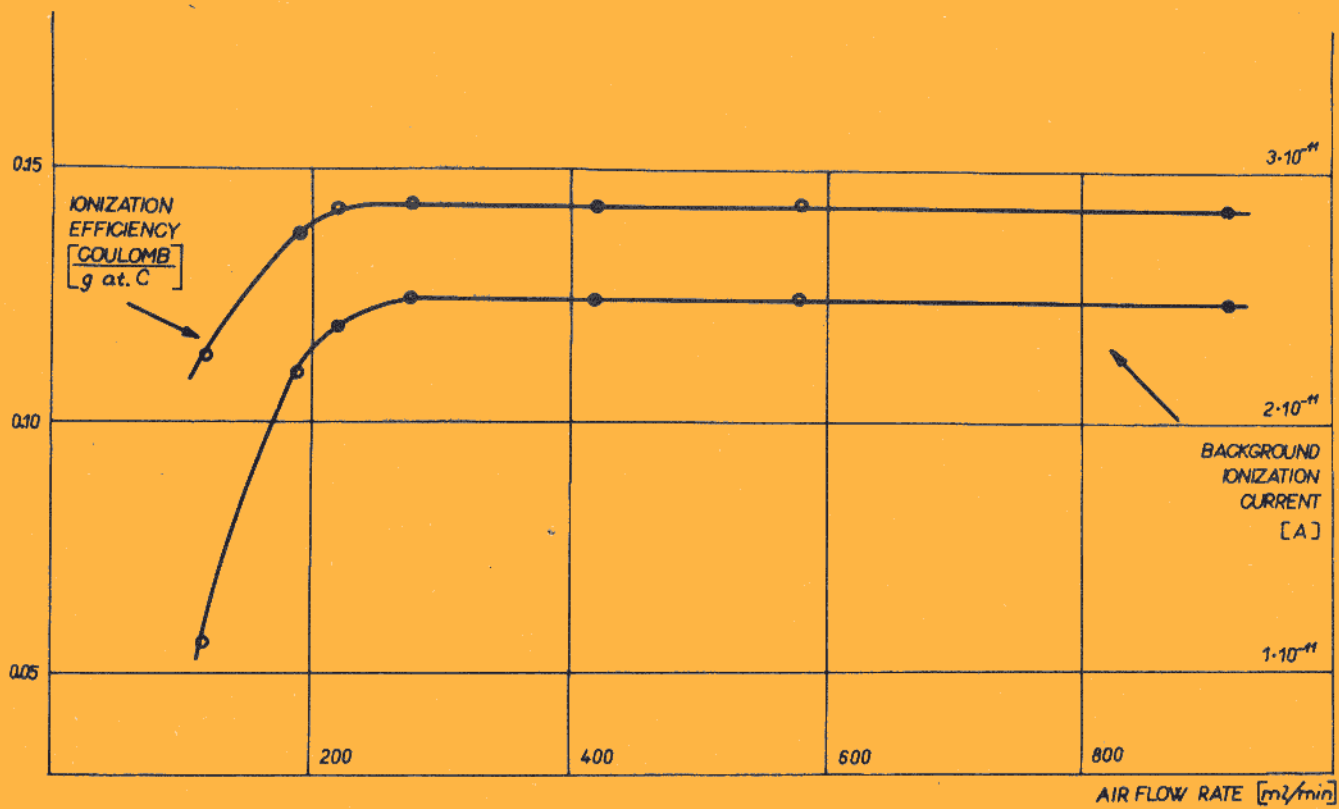
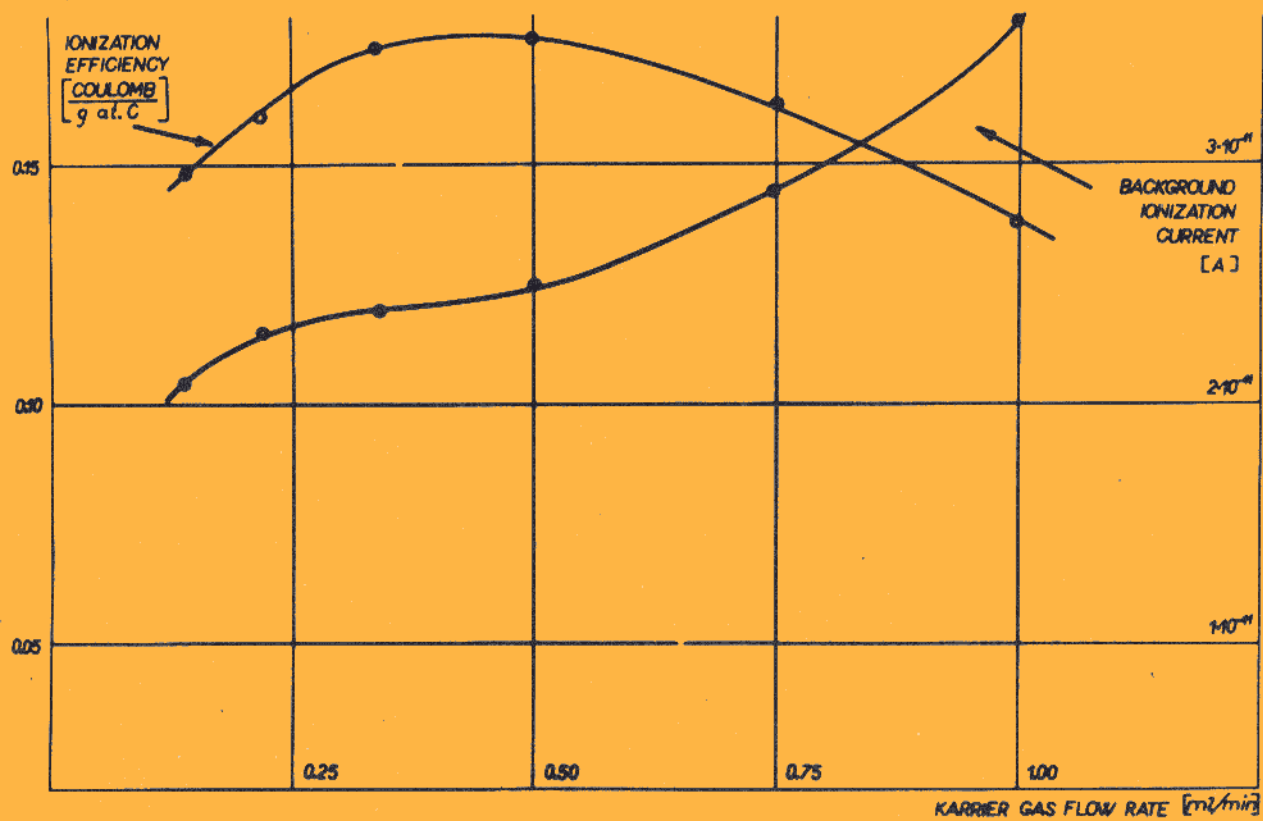
CHROM 51



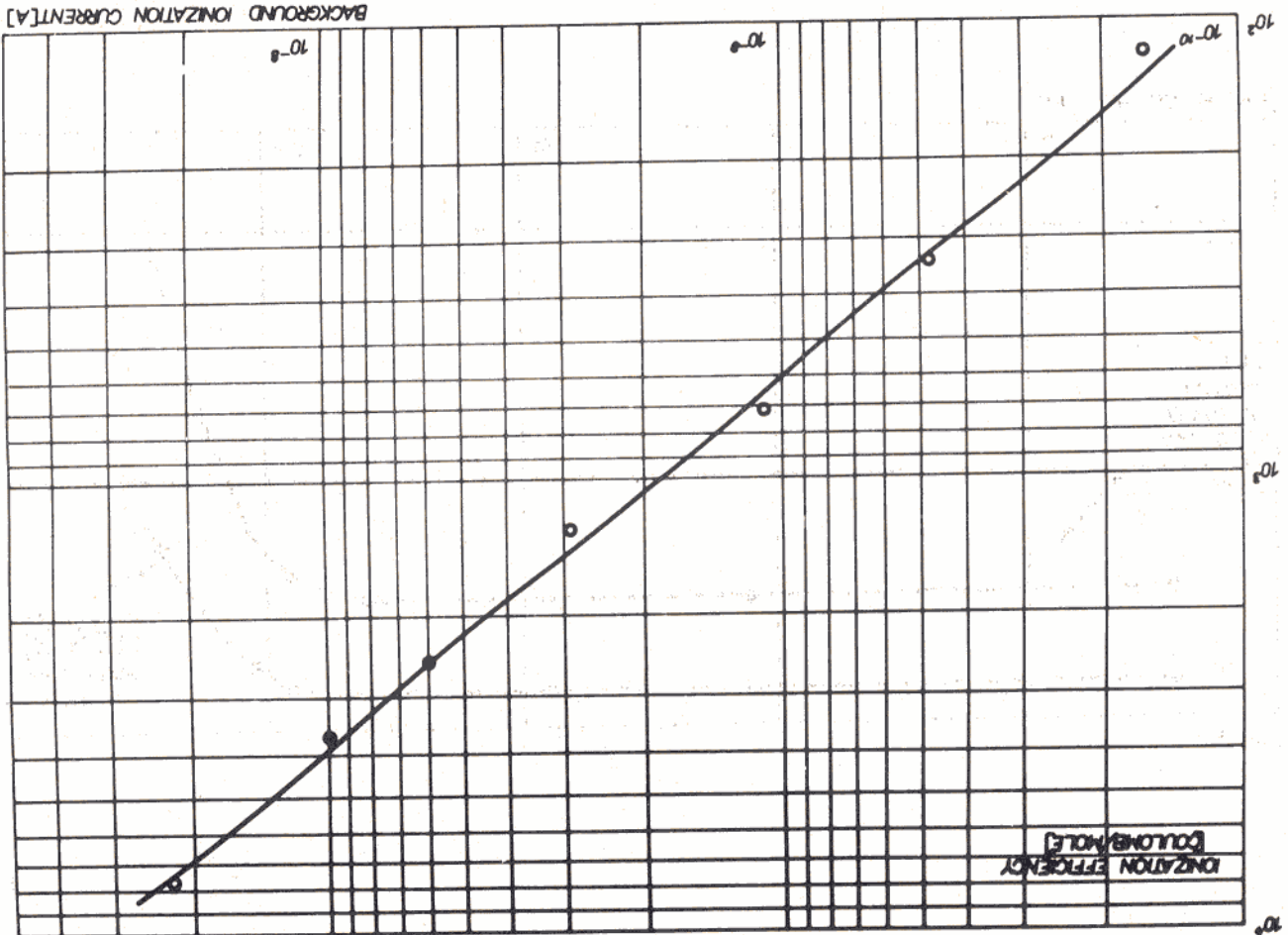
42



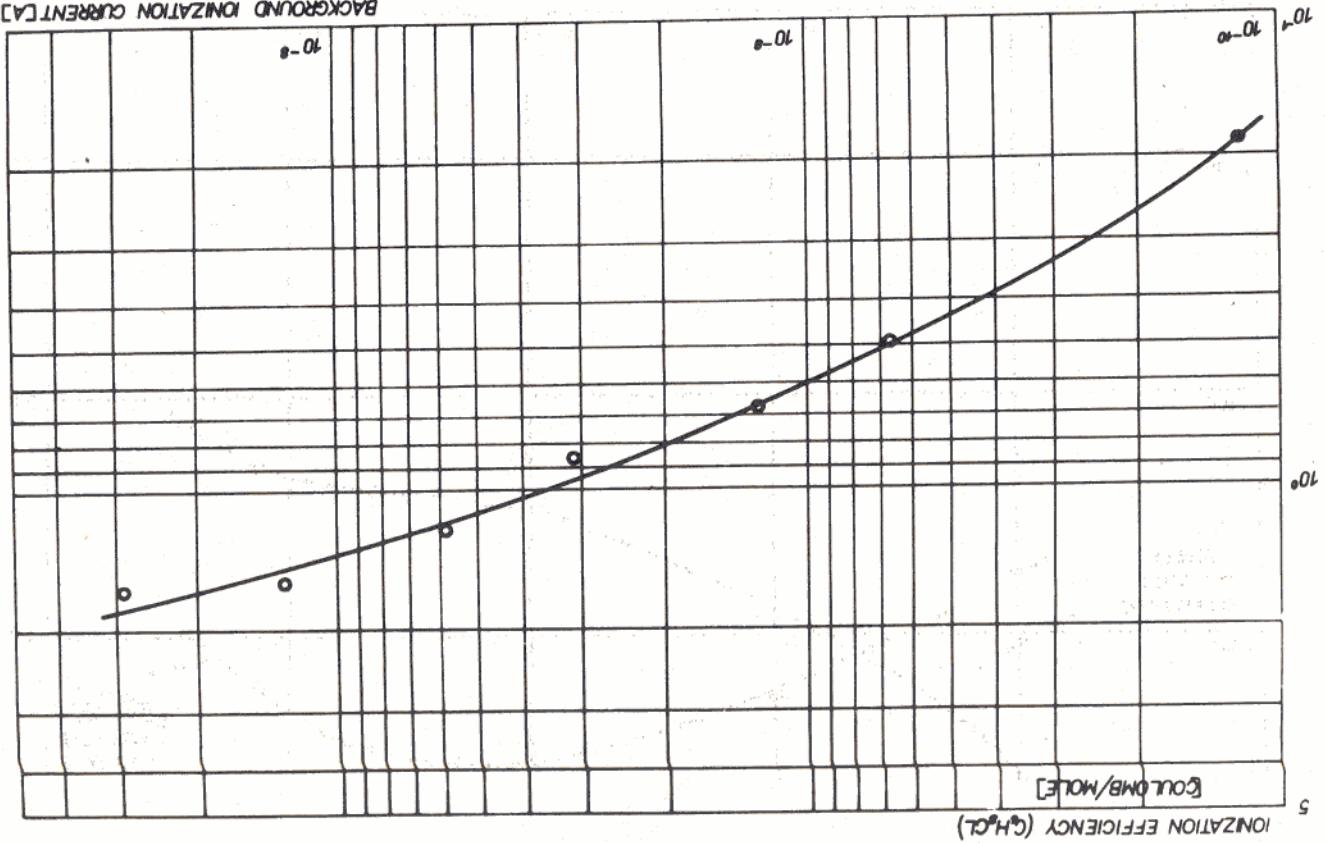


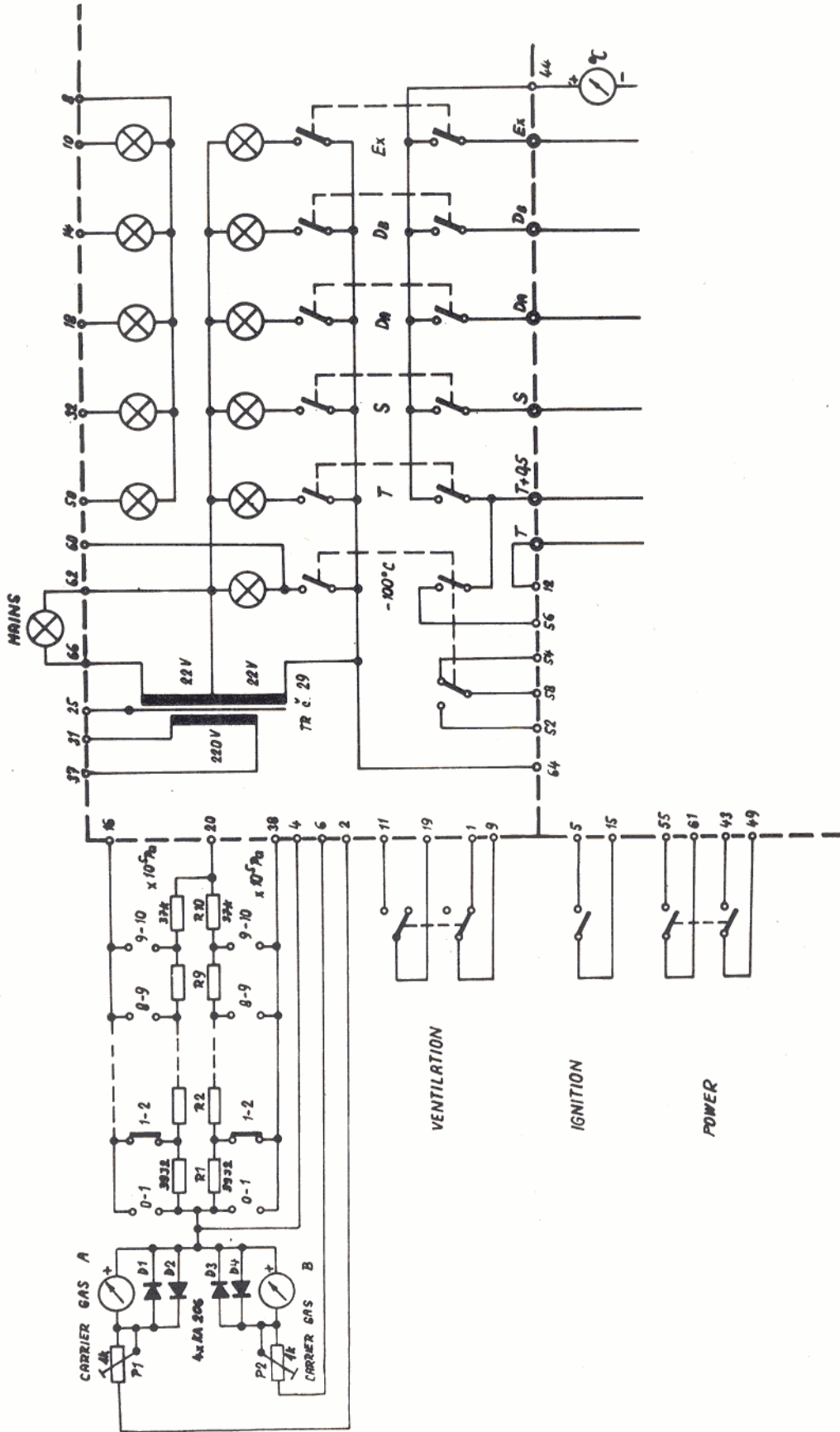


BACKGROUND IONIZATION CURRENT [A]

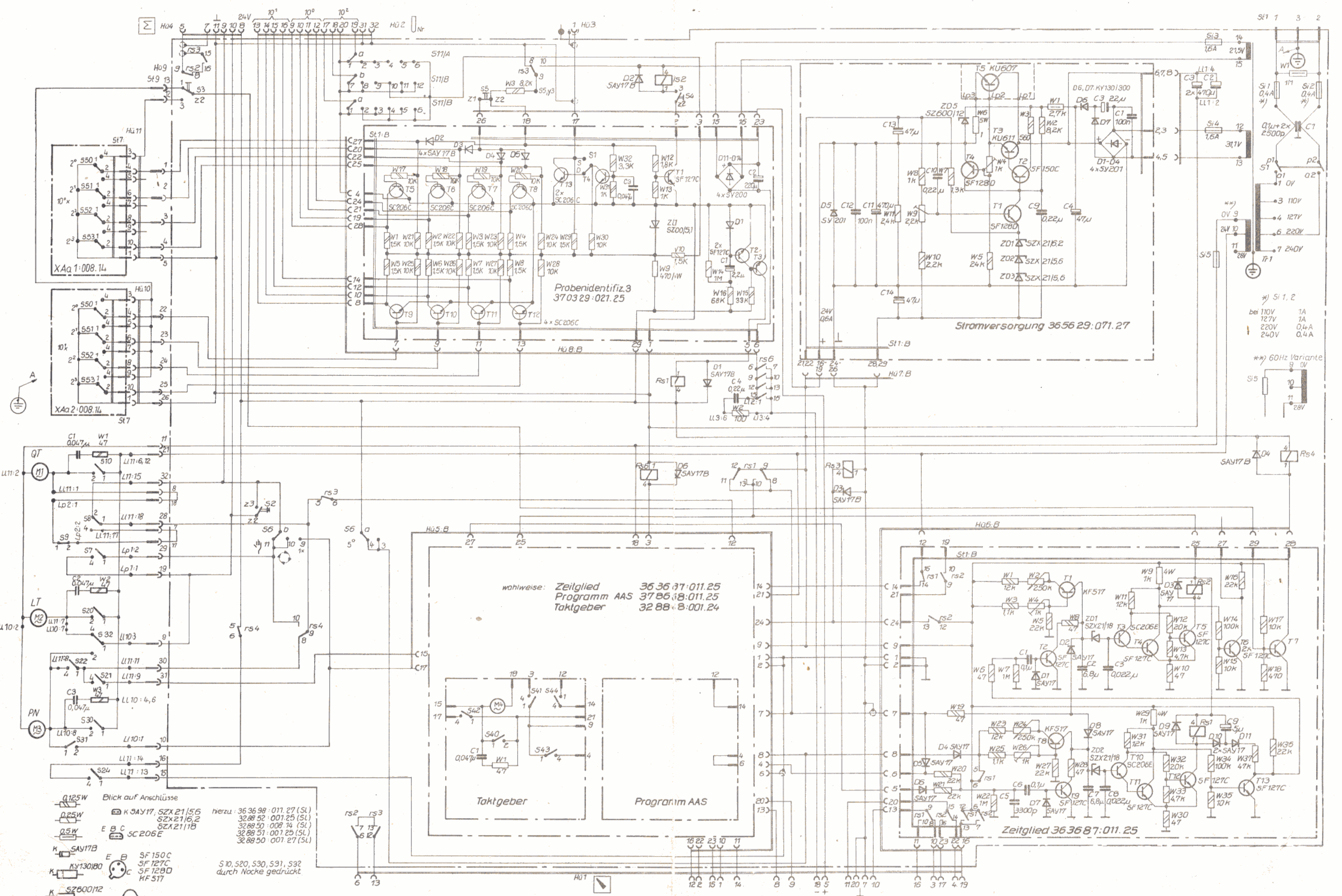


BACKGROUND IONIZATION CURRENT [A]





CHROM 5



- Q125W
 0,25W
 0,5W
 K SAY17B
 K NY130180
 K SZ600/12
 K SY200/SY201
- Blick auf Anschlüsse
 K SAY17, SZX 211/5,6
 E B C SC206E
 E B SF 150C
 SF 127C
 SF 128D
 HF 517
- S10, S20, S30, S31, S32
 durch Nocke gedrückt

H01:	6, 13	Autozero	1, 8, 14	Teilzeit	1
	5, 19	Absaugen	2, 9, 15,		2
	19	Messen	3, 10, 16,		3
			4, 11, 17		4